

IPC Integrated Professional

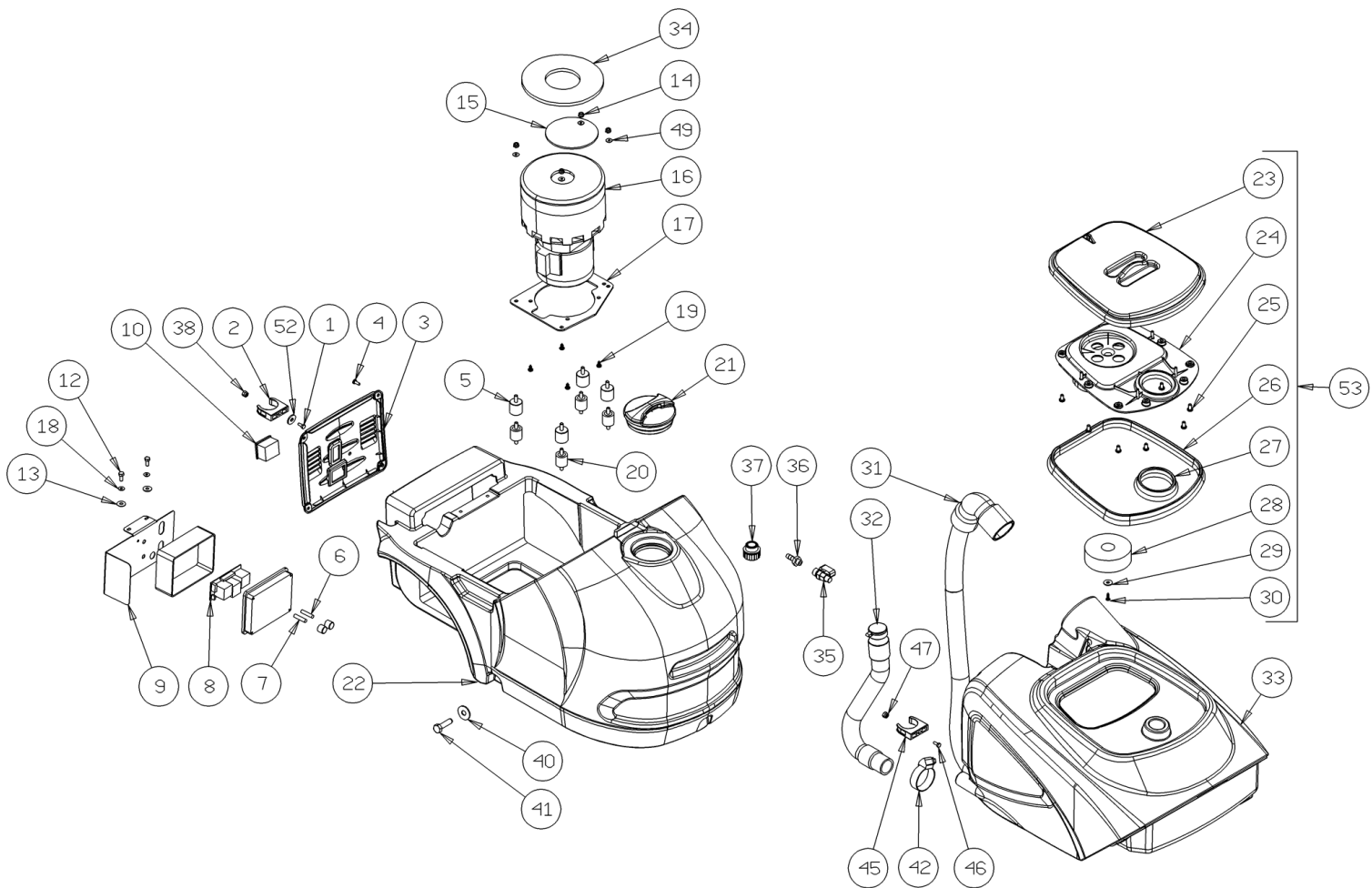
IPC Gansow

Spare Parts List

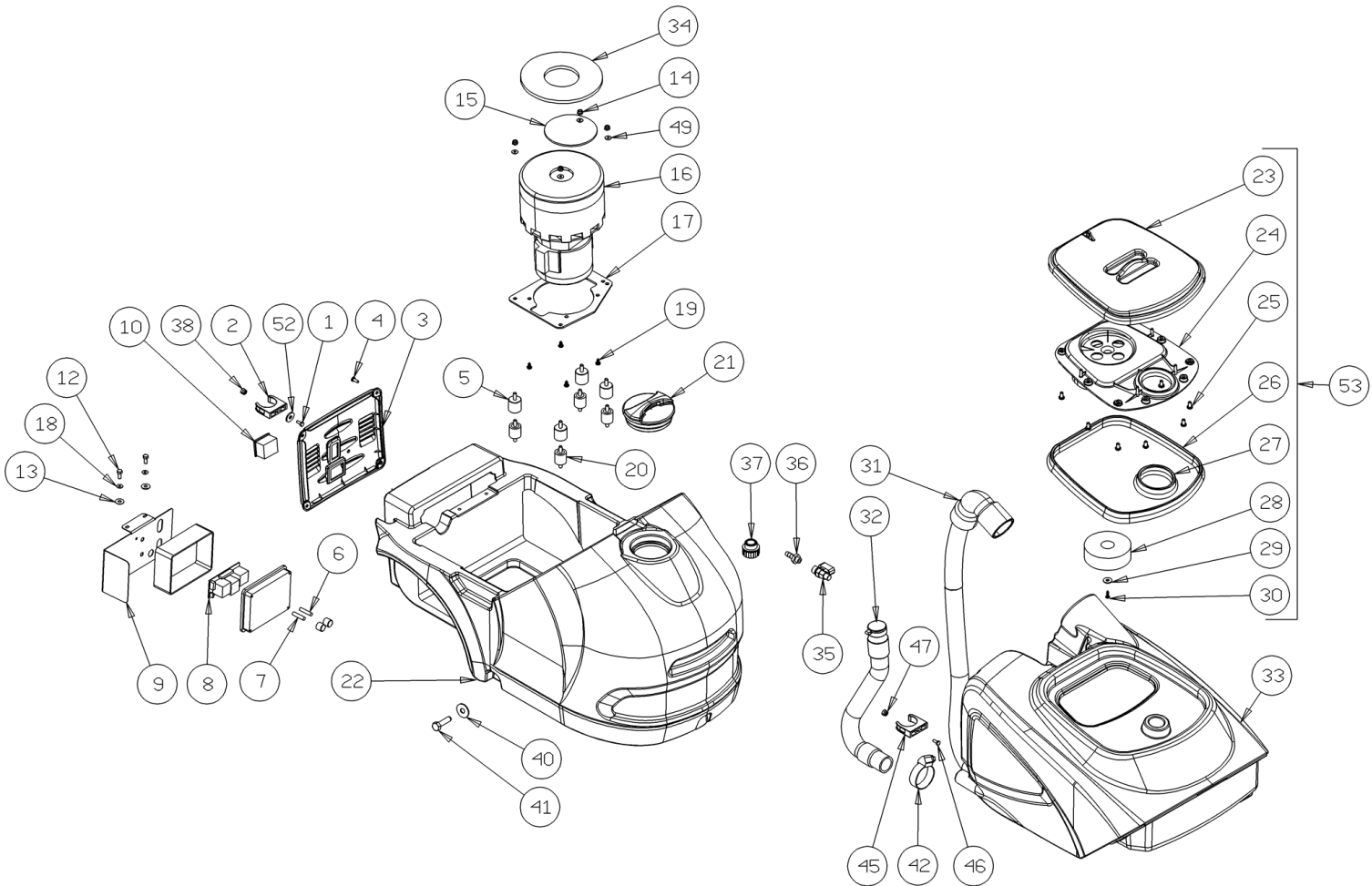
FALAMAK MACHINE CO. ADD:NO.6,U

Ref: LPTE00517

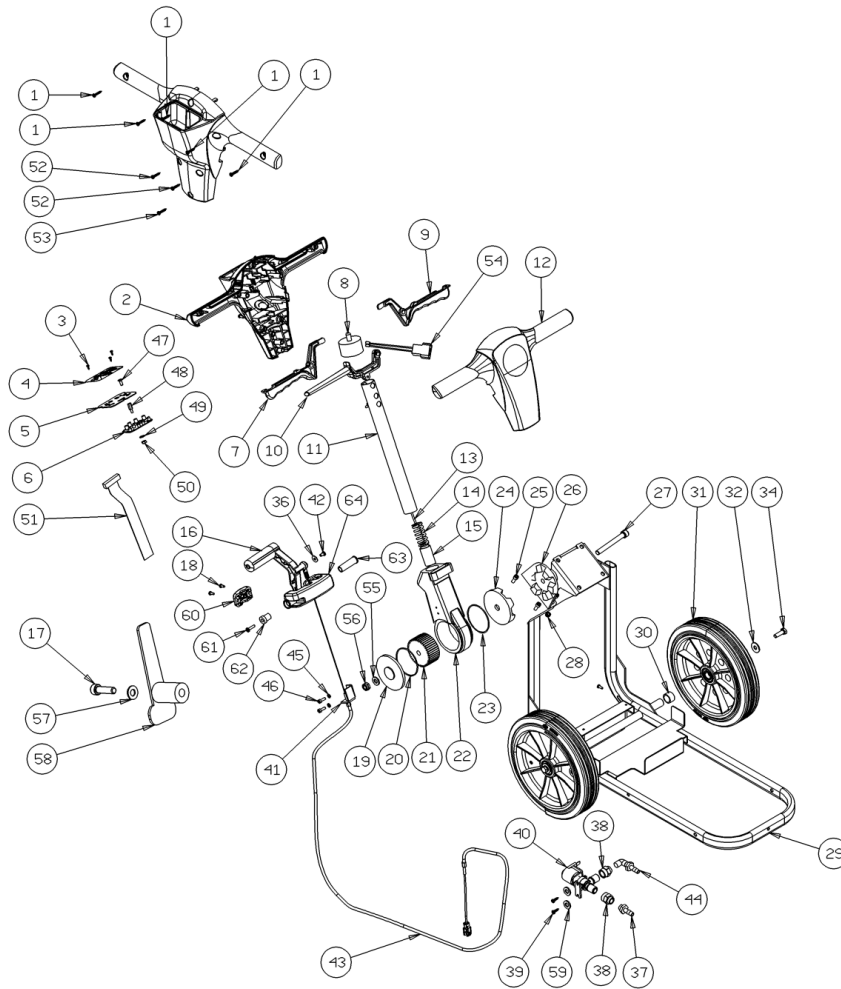
Model: CLEAN TIME CT15 230V



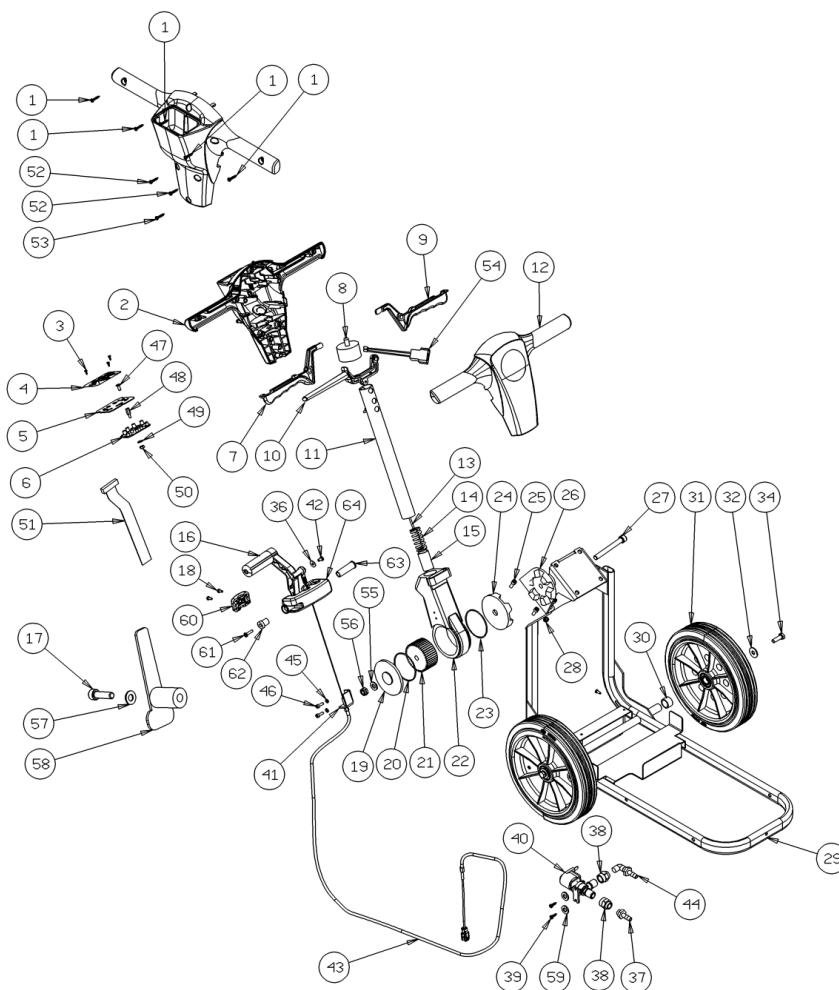
Ref.	K	Part N.	Customer Part N.	Description	Qty	Validity:		Price
						From	To	
0001		VTVT29884		SCREW TE M 4X 16 UNI 5739	1,00			--
0002		MPVR05841		CLIP -	1,00			--
0003		MPVR05828		COVER -	1,00			--
0004		VTVT75733		SCREW TBEI M 5X 12 ISO 7380 ZB	4,00			--
0005		LAFN08967		SPACER CT15-30	4,00			--
0006		MEVR02046		FUSE	1,00			--
0007		MEVR02047		FUSE	1,00			--
0008		MECE00536		BOARD	1,00			--
0009		LAFN08980		PLATE -	1,00			--
0010		MPVR00073		CAP CIECO NERO 22X30	1,00			--
0012		VTVT34115		SCREW TE M 5X 10 UNI 5739	2,00			--
0013		VTRS13750		WASHER D. 5X14 INX	2,00			--
0014		VTDD07727		NUT M 5 INOX	4,00			--
0015		LAFN05830		NET FERMA FILTRO INOX	1,00			--
0016		MOMO00243		MOTOR ASPIRATORE	1,00			--
0017		LAFN08894		PLATE -	1,00			--
0018		VTRS08013		WASHER D. 5 GRW	2,00			--
0019		VTVT48694		SCREW TCB TC 5 X12 UNI 9707 TZ	4,00			--
0020		ABGO00052		VIBRATION DAMP.-	4,00			--
0021		MPVR05188		CAP -	1,00			--
0022		MPVR05824		TANK -	1,00			--
0023		MPVR05825		COVER -	1,00			--
0024		MPVR05826		COVER -	1,00			--
0025		VTVT01694		SCREW TCB TC 5 X10 UNI 9707 TZ	8,00			--
0026		GUVR00288		GASKET N052 S1007	1,00			--
0027		GUVR00288		GASKET N052 S1007	1,00			--
0028		MPVR05836		FLOATER -	1,00			--
0029		VTRS00573		WASHER 30x6x3	1,00			--
0030		VTVT48694		SCREW TCB TC 5 X12 UNI 9707 TZ	1,00			--
0031		TBFX00345		TUBE CT15	1,00			--
0032		TBFX00346		TUBE CT15	1,00			--
0033		MPVR05823		TANK -	1,00			--
0034		GUGO00444		GASKET -	1,00			--
0035		RCGR00008		VALVE A SFERA MF 1/8"	1,00			--
0036		RCVR00004		CONNECTOR PORTAGOMMA 1/8" D.7	1,00			--
0037		MPVR08003		CAP	1,00			--
0038		VTDD04369		NUT M 4 TEF UNI 7473	1,00			--
0040		VTRS13750		WASHER D. 5X14 INX	3,00			--
0041		VTVT01376		SCREW TE M 5X 35 UNI 5739	3,00			--



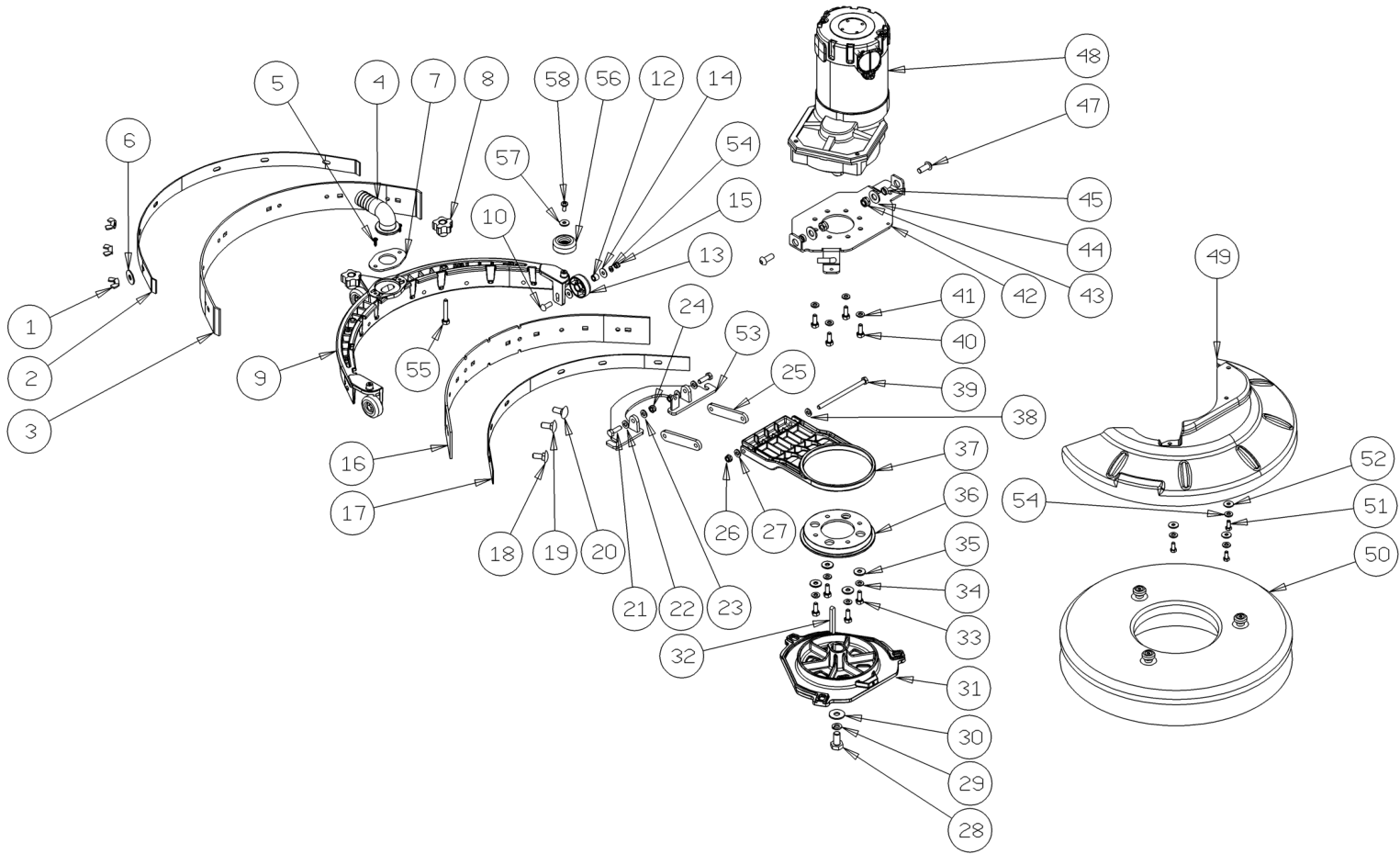
Ref. K	Part N.	Customer Part N.	Description	Qty	Validity:		Price
					From	To	
0042	FSVR00002		CLAMP EKOFLEX 9 23-35	1,00			--
0045	MPVR05841		CLIP -	1,00			--
0046	VTVT00727		SCREW TE M. 4-20	1,00			--
0047	VTDD04369		NUT M 4 TEF UNI 7473	1,00			--
0049	VTRS15908		WASHER D. 5 INX GRW UNI 1751	4,00			--
0052	VTRS05904		WASHER D. 4 X16 2.083	1,00			--
0053	KTRI01989		KIT RECOVERY LID	1,00			--



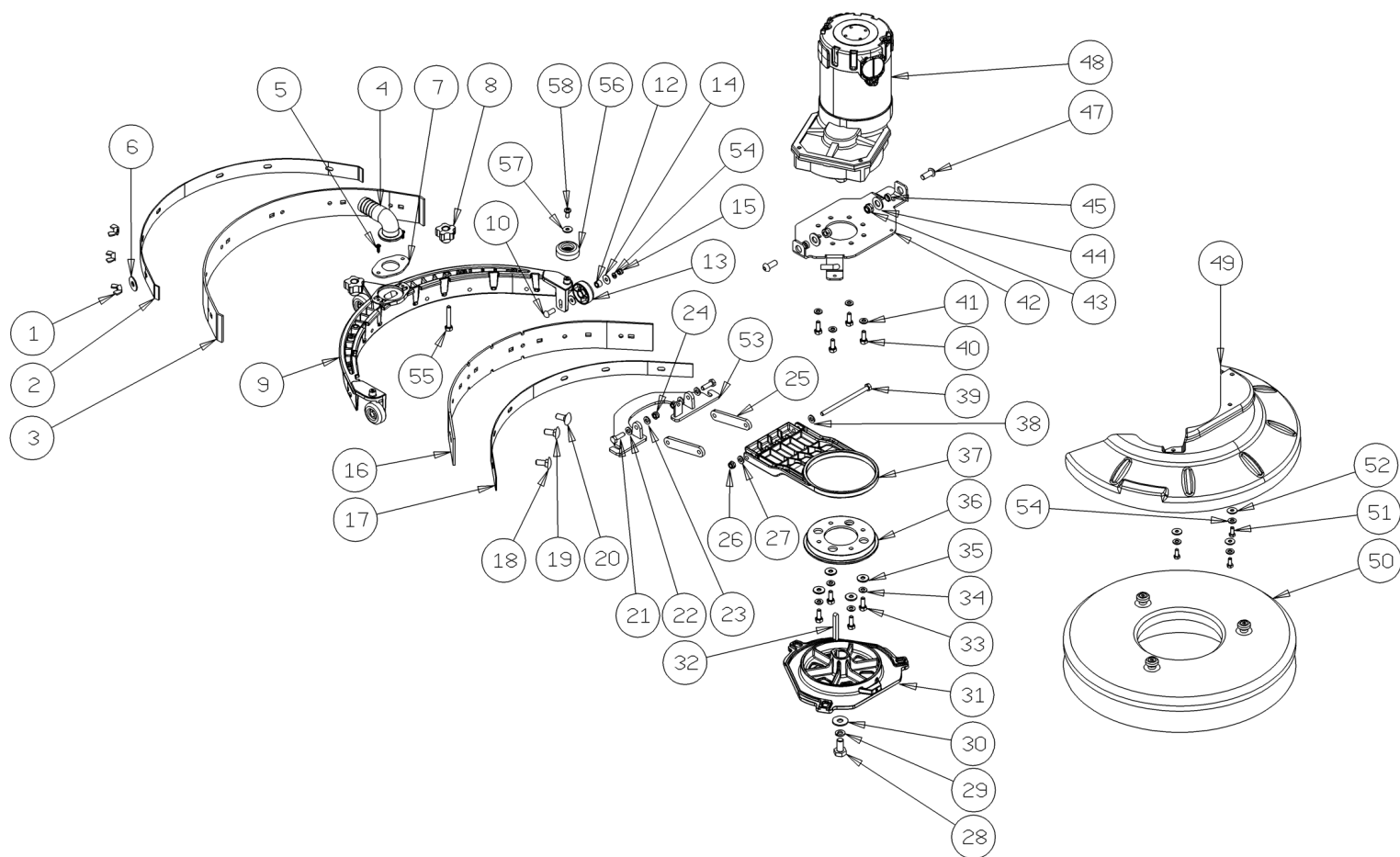
Ref.	K	Part N.	Customer Part N.	Description	Qty	Validity:		Price
						From	To	
0001		VTVT01371		SCREW 4,8X19	5,00			--
0002		MPVR05837		HANDLE -	1,00			--
0003		VTVT00800		SCREW TC 4X12 ZN	3,00			--
0004		ETET01699		LABEL -	1,00			--
0005		LAFN08891		BRACKET -	1,00			--
0006		MECE00537		BOARD	1,00			--
0007		MPVR05490		LEVER -	1,00			--
0008		MERL00013		SWITCH -	1,00			--
0009		MPVR05490		LEVER -	1,00			--
0010		MPVR05488		LEVER -	1,00			--
0012		MPVR05486		CRANKCASE -	1,00			--
0013		LAFN07917		SUPPORT -	1,00			--
0014		MLML00319		SPRING -	1,00			--
0015		MTIG00126		GEAR	1,00			--
0016		MPVR49942		LEVER SHK PP	1,00			--
0017		VTVT63038		SCREW TCEI M8X45 BR	1,00			--
0018		VTVT01375		SCREW 5X22	2,00			--
0019		LAFN07476		COVER -	1,00			--
0020		GUGO00437		O-RING -	1,00			--
0021		MTIG00125		GEAR	1,00			--
0022		LAFN07475		SUPPORT -	1,00			--
0023		GUGO00437		O-RING -	1,00			--
0024		LAFN07477		COVER -	1,00			--
0025		VTVT29810		SCREW TCEI M 8X20 UNI 5931	4,00			--
0026		LAFN07478		SUPPORT -	1,00			--
0027		VTVT01205		SCREW -	1,00			--
0028		VTDD00124		NUT M 8 BASSO	4,00			--
0029		LAFN08895		FRAME -	1,00			--
0030		LAFN08915		BUSHING -	2,00			--
0031		RTRT00537		WHEEL -	2,00			--
0032		VTRS00512		WASHER D. 8 X24 ZC.	2,00			--
0034		VTVT01110		SCREW TE 8X16 UNI5739	2,00			--
0036		VTRS00251		WASHER 4-16 INOX A2	1,00			--
0037		RCVR00004		CONNECTOR PORTAGOMMA 1/8" D.7	1,00			--
0038		RCDS00045		CONNECTOR -	1,00			--
0039		VTVT48694		SCREW TCB TC 5 X12 UNI 9707 TZ	2,00			--
0040		MEEV00041		SOLENOID VALVE	1,00			--
0041		LAFN08898		BRACKET -	1,00			--
0042		VTVT00800		SCREW TC 4X12 ZN	1,00			--



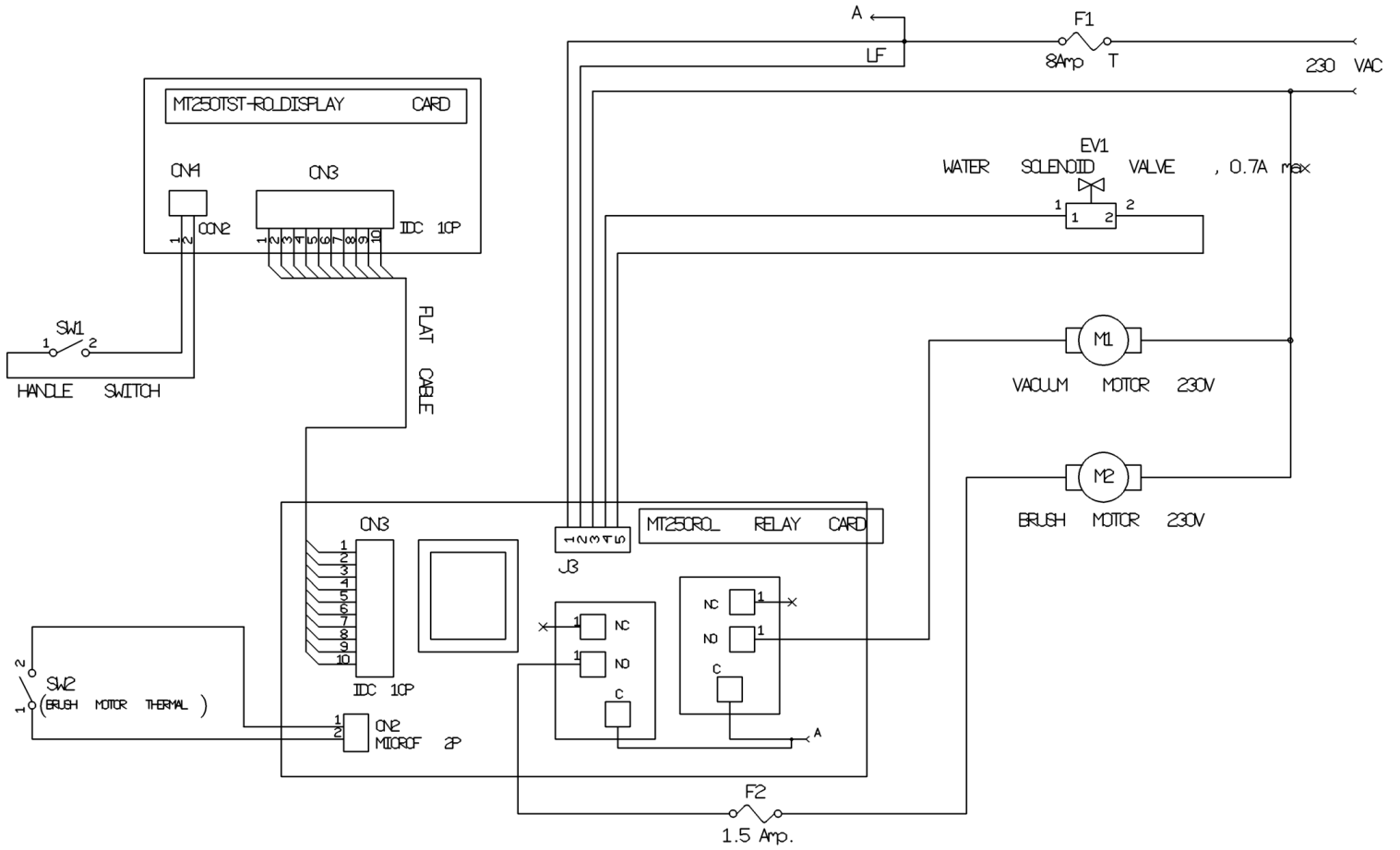
Ref.	K	Part N.	Customer Part N.	Description	Qty	Validity:		Price
						From	To	
0043		CMCV00453		CABLE -	1,00			--
0044		RCVR00084		CONNECTOR A "L"	1,00			--
0045		VTRS08013		WASHER D. 5 GRW	2,00			--
0046		VTVT17639		SCREW TCEI M 5X10 UNI 5931	2,00			--
0047		VTVT01377		SCREW TSP-TC M 3X5 UNI7688 INX	4,00			--
0048		VTVR00481		INSERT FILETTATO M6	4,00			--
0049		VTRS00268		WASHER D.3	4,00			--
0050		VTDD21115		NUT M 3 INOX	4,00			--
0051		MECB01257		WIRING	1,00			--
0052		VTVT01372		SCREW 4,8X25	2,00			--
0053		VTVT01373		SCREW 4,8X38	1,00			--
0054		MECB01273		WIRING	1,00			--
0055		VTRS00505		WASHER D.10 TE UNI 6592	1,00			--
0056		VTDD00042		NUT AUT.M10 UNI7474	1,00			--
0057		VTRS00230		WASHER D. 8	1,00			--
0058		MPVR34714		CABLE SUPPORT E 350	1,00			--
0059		VTRS00274		WASHER NYLON 66 D.8,4-17-2 UNI	2,00			--
0060		MPVR05925		HOSE COLLAR CT15	1,00			--
0061		VTVT01374		SCREW 5X40	1,00			--
0062		MPVR05928		BUSHING CT15	1,00			--
0063		MPVR05927		PIN CT15	1,00			--
0064		MPVR05926		SUPPORT CT15	1,00			--



Ref.	K	Part N.	Customer Part N.	Description	Qty	Validity:		Price
						From	To	
0001		VTDD00522		NUT M5	6,00			--
0002		LAFN08887		BRACKET -	1,00			--
0003		MPVR05918		BLADE -	1,00			--
0004		MPVR05831		CONNECTOR -	1,00			--
0005		VTVT48694		SCREW TCB TC 5 X12 UNI 9707 TZ	2,00			--
0006		VTRS13750		WASHER D. 5X14 INX	6,00			--
0007		LAFN08890		FLANGE -	1,00			--
0008		MPVR05842		SMALL KNOB -	2,00			--
0009		MPVR05835		BODY -	1,00			--
0010		VTVT01693		SCREW M5x20	3,00			--
0012		LAFN08913		BUSHING -	3,00			--
0013		MPVR05832		WHEEL -	3,00			--
0014		VTRS13750		WASHER D. 5X14 INX	6,00			--
0015		VTDD07727		NUT M 5 INOX	3,00			--
0016		MPVR05917		BLADE -	1,00			--
0017		LAFN08886		BRACKET -	1,00			--
0018		VTVT01690		SCREW M5x25	2,00			--
0019		VTVT01691		SCREW M5x35	2,00			--
0020		VTVT01691		SCREW M5x35	2,00			--
0021		VTVT13939		SCREW TE 6X20 UNI5739 INX	2,00			--
0022		VTRS00245		WASHER D.6 UNI 6592 INOX	2,00			--
0023		VTRS00245		WASHER D.6 UNI 6592 INOX	2,00			--
0024		VTDD01694		NUT M 6 INX	2,00			--
0025		LAFN08889		ARM -	2,00			--
0026		VTDD01694		NUT M 6 INX	1,00			--
0027		VTRS00245		WASHER D.6 UNI 6592 INOX	1,00			--
0028		VTVT13938		SCREW TE 8X20 UNI5739 INX	1,00			--
0029		VTRS15146		WASHER D. 8 INX GRW UNI 1751	1,00			--
0030		VTRS13946		WASHER D. 8 X24 INX UNI 6593	1,00			--
0031		MFVR00212		DRIVE DISK	1,00			--
0032		VTVR16617		KEY 6X 6X30 UNI 6604	1,00			--
0033		VTVT13939		SCREW TE 6X20 UNI5739 INX	4,00			--
0034		VTRS15144		WASHER D. 6 INX GRW UNI 1751	4,00			--
0035		VTRS13945		WASHER D. 6X18 INX UNI 6593	4,00			--
0036		MPVR05830		BRACKET -	1,00			--
0037		MPVR05829		SUPPORT -	1,00			--
0038		VTRS00245		WASHER D.6 UNI 6592 INOX	1,00			--
0039		VTVT01692		SCREW M6X125	1,00			--
0040		VTVT15906		SCREW TE 6X 12 A2 UNI 5739	4,00			--



Ref.	K	Part N.	Customer Part N.	Description	Qty	Validity:		Price
						From	To	
0041		VTRS15144		WASHER D. 6 INX GRW UNI 1751	4,00			--
0042		LAFN08896		PLATE -	1,00			--
0043		VTDD01695		NUT M 8 INX	2,00			--
0044		VTRS13947		WASHER D. 8 INX UNI 6592	2,00			--
0045		LAFN08916		BUSHING -	2,00			--
0047		VTVT13937		SCREW TE M 8X 30 INX UNI 5739	2,00			--
0048		MOMO00241		MOTOR 230V	1,00			--
0049		MPVR05827		COVER -	1,00			--
0050		SPPV01287		BRUSH -	1,00			--
0051		VTVT01300		SCREW TE M5X12 INOX	3,00			--
0052		VTRS13750		WASHER D. 5X14 INX	3,00			--
0053		LAFN08888		SUPPORT -	1,00			--
0054		VTRS15908		WASHER D. 5 INX GRW UNI 1751	3,00			--
0055		VTVT15515		SCREW TE M 6X 50 INOX A2	2,00			--
0056		MPVR05832		WHEEL -	2,00	04/2011		--
0057		VTRS13750		WASHER D. 5X14 INX	2,00	04/2011		--
0058		VTVT48694		SCREW TCB TC 5 X12 UNI 9707 TZ	2,00	04/2011		--



Ref.	K	Part N.	Customer Part N.	Description	Qty	Validity:		Price
						From	To	
F1		MEVR02047		FUSE	1,00			--
F2		MEVR02046		FUSE	1,00			--
M1		MOMO00243		MOTOR ASPIRATORE	1,00			--
M2		MOMO00241		MOTOR 230V	1,00			--
SW1		MERL00013		SWITCH -	1,00			--