



IPC Integrated Professional Cleaning

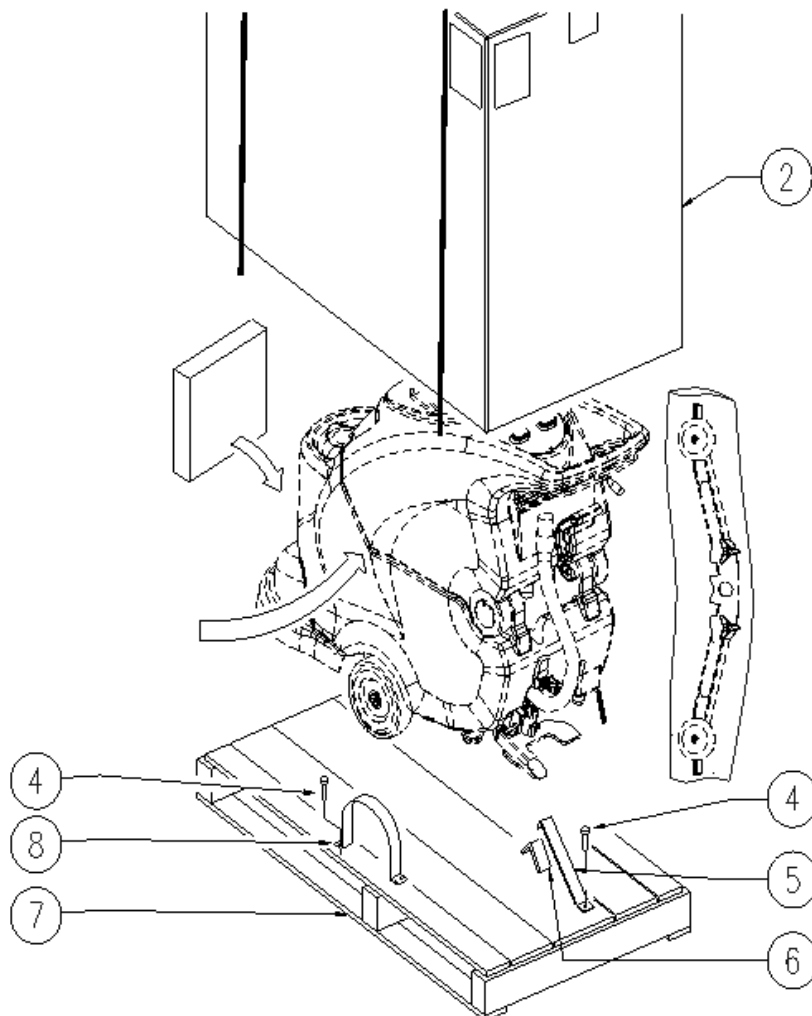
IPC Gansow

Spare Parts List

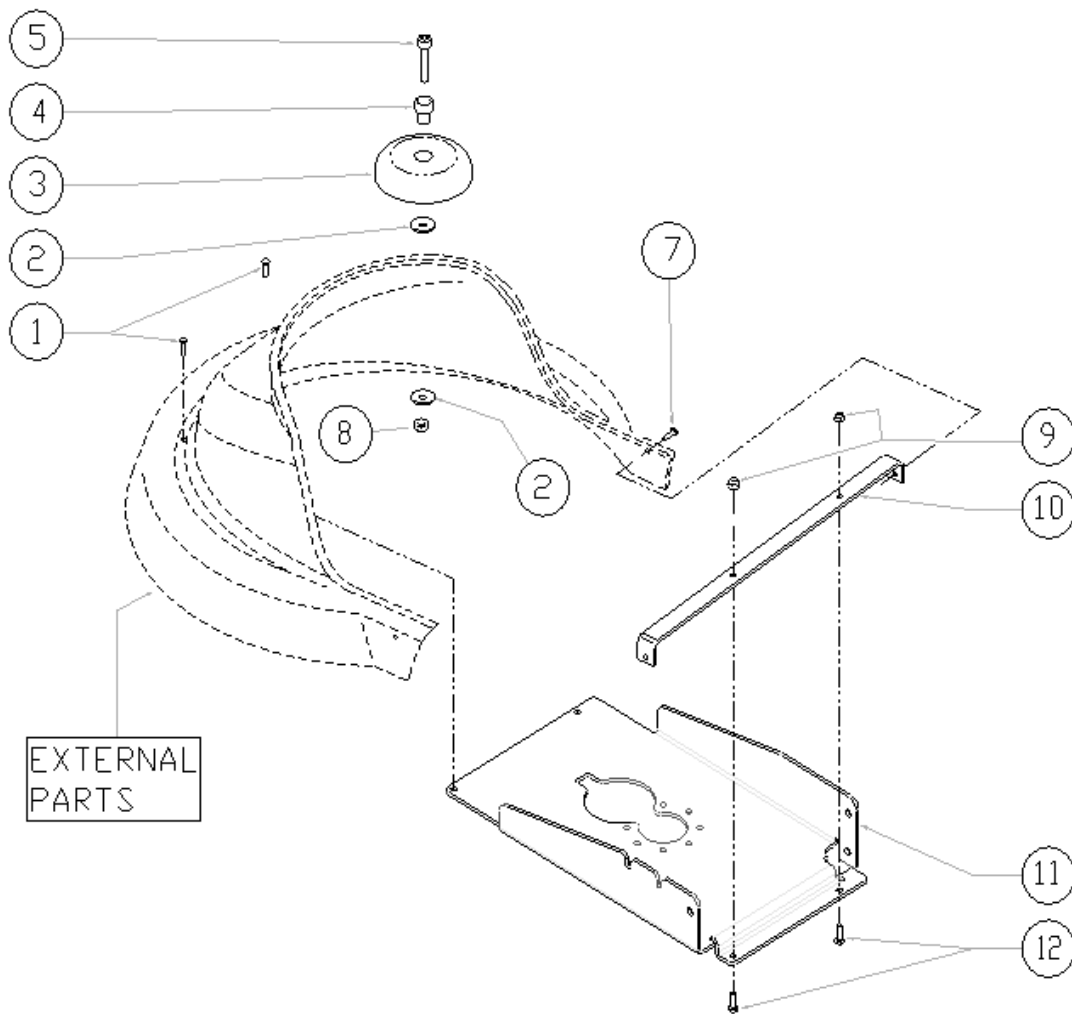
FALAMAK MACHINE CO. ADD.NO.6,U

Ref: LPTE01102

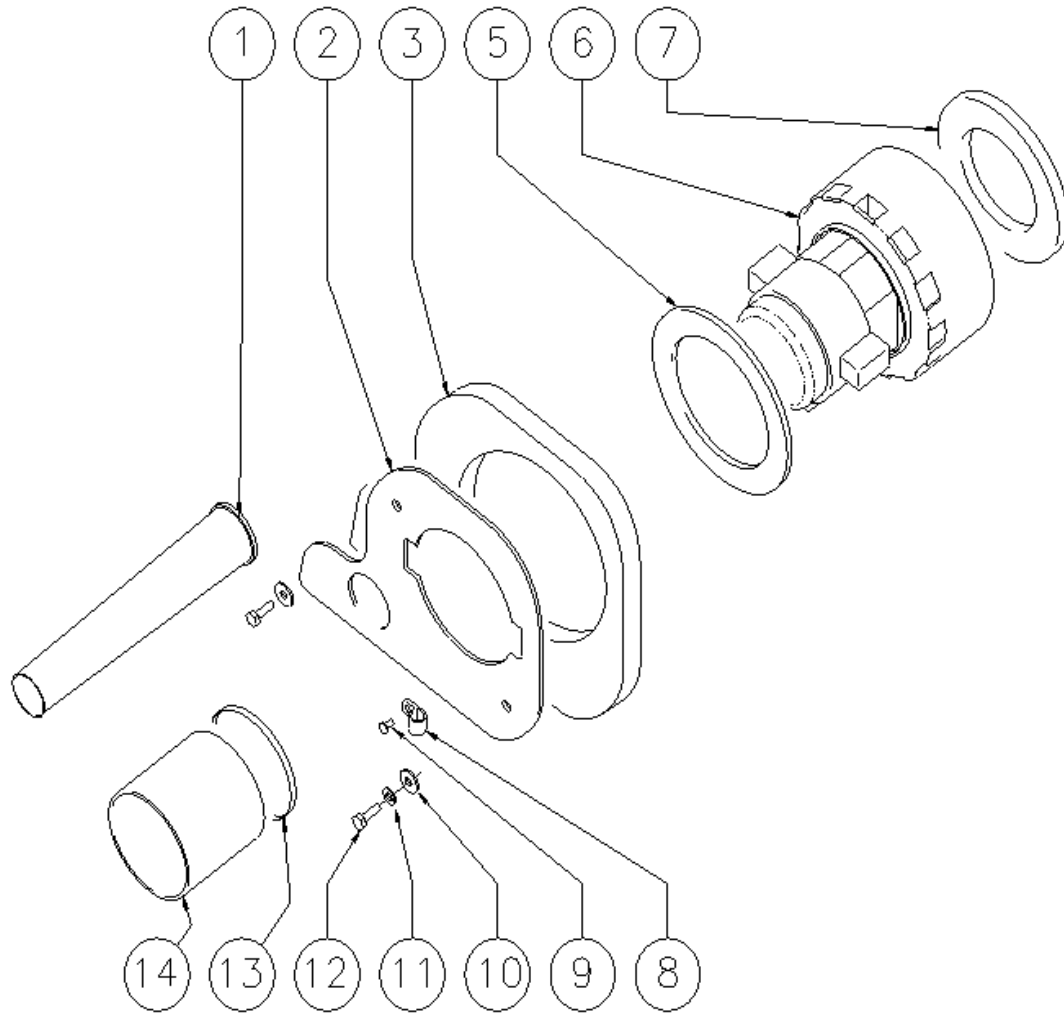
Model: CT55 C55 230V GR/VE



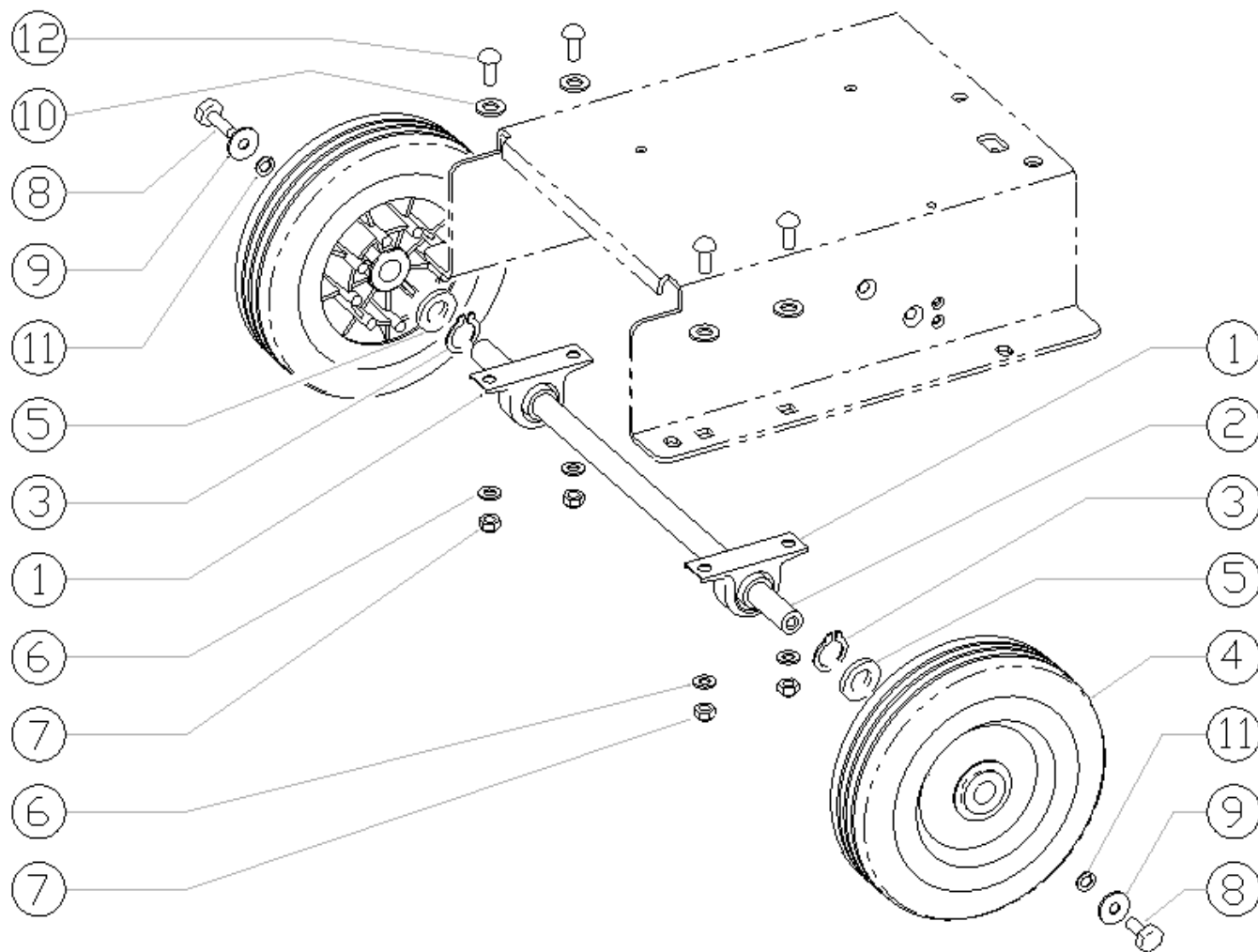
Ref. K	Part N.	Customer Part N.	Description	Qty	Validity:		Price
					From	To	
0002	MICT00147		CARTON IMBALLO RULLI	1,00			--
0004	VTVT00043		SCREW AUTOF.LEGNO 4,5X25 TS BR	9,00			--
0005	MIVR00137		CLAMP RUOTA POSTERIORE X IMBAL.	1,00			--
0006	GUGO00009		MOUSSE	0,05			--
0007	MIBA00077		PALLET RULLI	1,00			--
0008	MIVR00135		CLAMP RUOTA POSTERIORE X IMBAL.	2,00			--



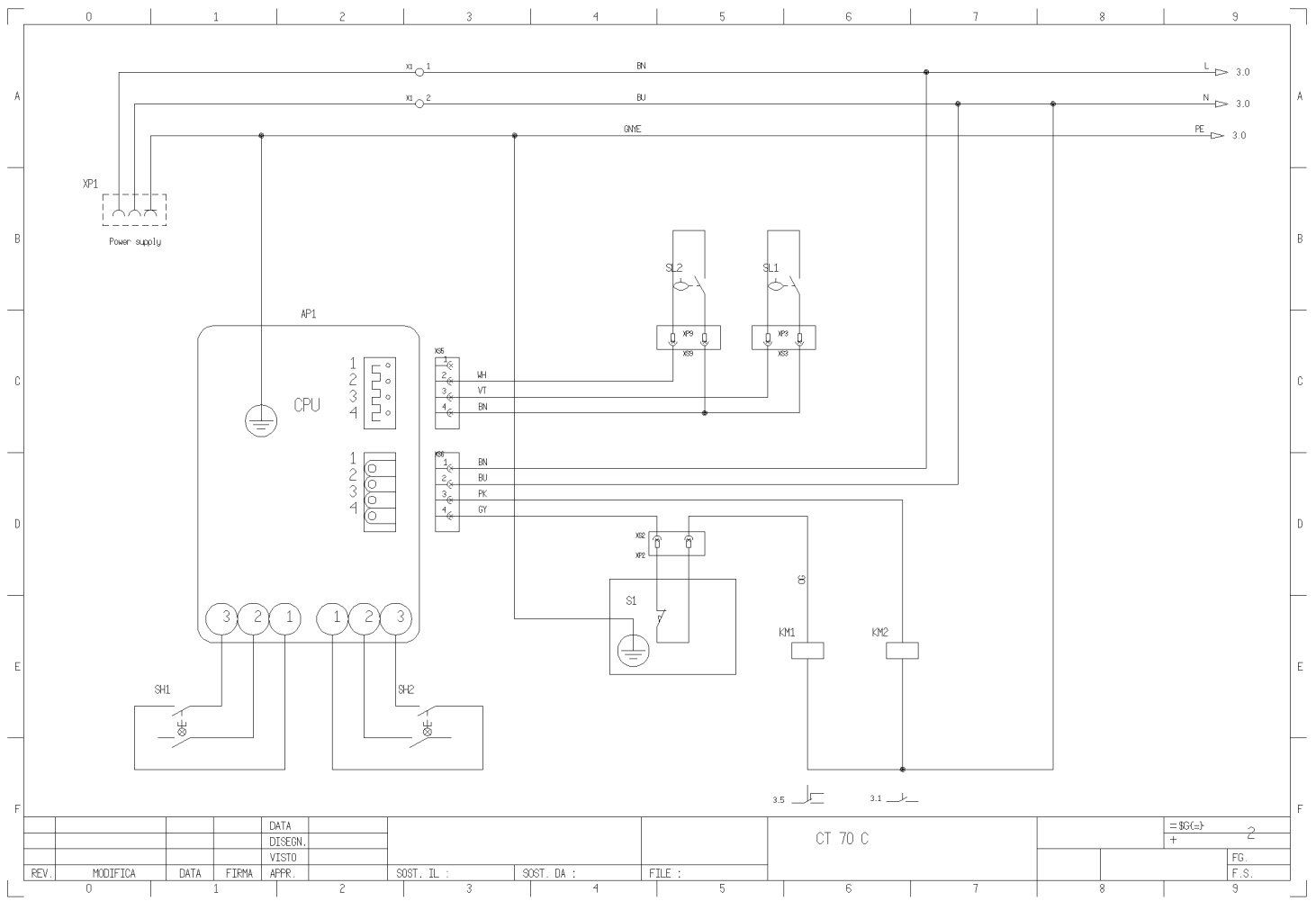
Ref.	K	Part N.	Customer Part N.	Description	Qty	Validity:		Price
						From	To	
0001		VTVT00659		SCREW TC+ M. 4-15	2,00		02/2010	--
0001		VTVT01366		SCREW M4X16	2,00	02/2010		--
0002		VTRS13946		WASHER D. 8 X24 INX UNI 6593	2,00			--
0003		MPVR05290		ROLLER PARACOLPI	1,00			--
0004		LAFN03915		BUSHING NUOVO RUOTINO STRONG	1,00			--
0005		VTVT00822		SCREW TCEI M 8-30	1,00	06/2009		--
0005		VTVT17349		SCREW TCEI M 8X30	1,00		06/2009	--
0007		VTVT01366		SCREW M4X16	2,00			--
0008		VTDD01695		NUT M 8 INX	1,00			--
0009		VTDD15518		NUT M 6 INX	2,00			--
0010		LAFN05899		SUPPORT BRACKET CARTER 1 EXTREME	1,00			--
0011		LAFN07373		PLATE RIDUTTORE	1,00			--
0012		VTVT15143		SCREW TE 6X16 UNI5739	2,00			--



Ref.	K	Part N.	Customer Part N.	Description	Qty	Validity:		Price
						From	To	
0001		MPVR05259		TUBE SCARICO	1,00	06/2007		--
0001		TBFX00244		TUBE D 34 L200MM	1,00		06/2007	--
0002		LAFN06363		FLANGE ASPIRATORE	1,00			--
0003		MPVR05103		SOUND-PROOFING ASPIRATORE	1,00			--
0004		MPVR31077		BUSHING L.450	1,00		06/2007	--
0005		MPVR04724		FLANGE IN NYLON	1,00			--
0006		MOMO00214		MOTOR 240V	1,00			--
0007		GUGO00272		GASKET VACUUM MOTOR CT	1,00			--
0008		FSVR00099		CLAMP FERMATUBO	1,00			--
0009		VTVT00813		SCREW M 4X 8 TCB-TC UNI 8112	1,00			--
0010		VTRS13945		WASHER D. 6X18 INX UNI 6593	2,00			--
0011		VTRS15144		WASHER D. 6 INX GRW UNI 1751	2,00			--
0012		VTVT15143		SCREW TE 6X16 UNI5739	2,00			--
0013		FSVR00118		CLAMP D.94	1,00	05/2007		--
0013		FSVR00500		CLAMP 80-100 INOX	1,00		04/2007	--
0014		TBFX00268		SUCTION HOSE D80 L=80MM	1,00		04/2007	--
0014		TBFX00312		TUBE ASPIRAZIONE	1,00	05/2007		--

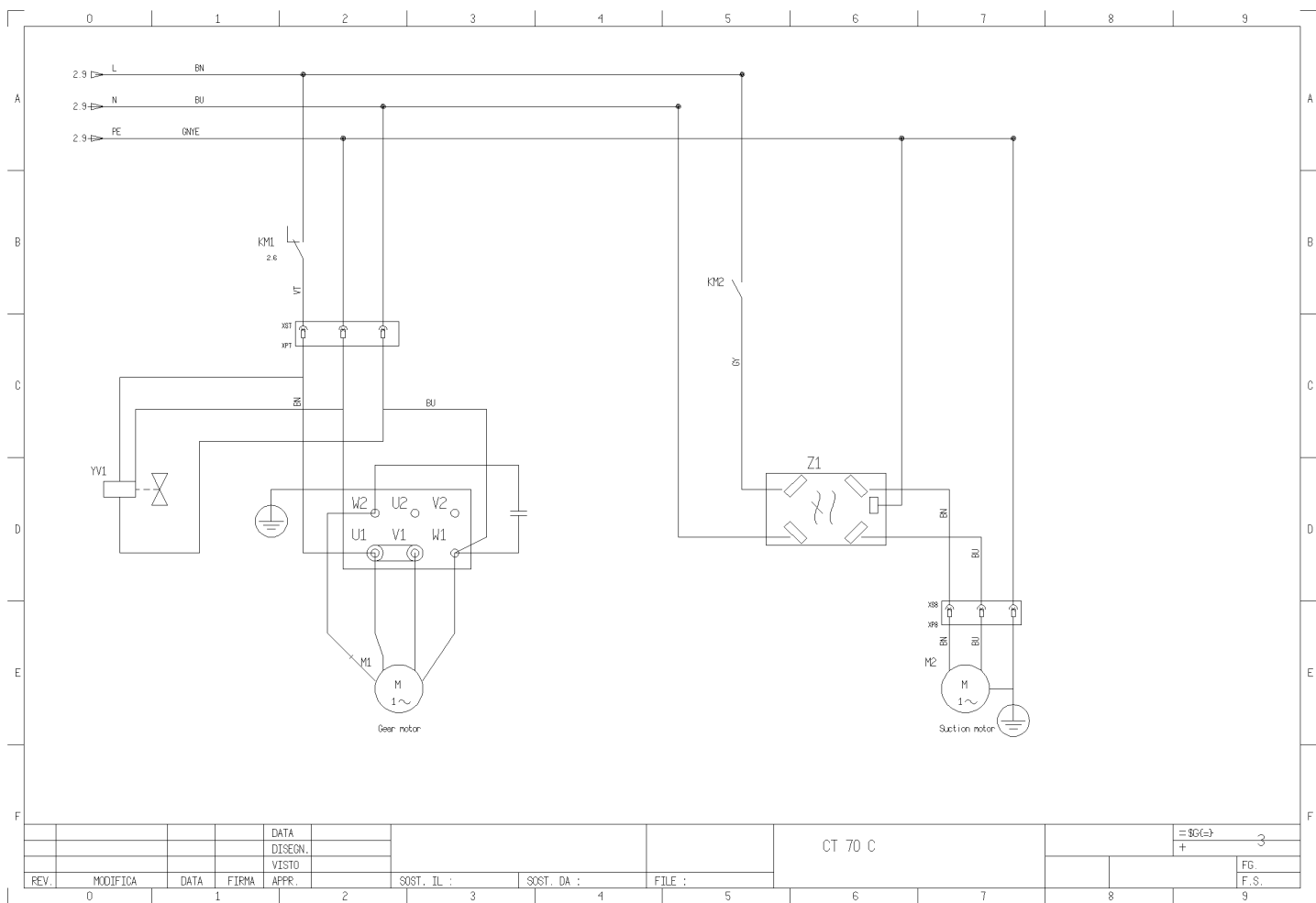


Ref.	K	Part N.	Customer Part N.	Description	Qty	Validity:		Price
						From	To	
0001		CUVR49833		BALL BEARING SBPP 203	2,00			--
0002		ALTR00075		SHAFT	1,00		04/2010	--
0002		ALTR00089		AXLE	1,00	04/2010		--
0003		VTAE00065		RING D17 UNI7435 INOX	2,00			--
0004		RTRT00366		WHEEL D200 X CLT 40	2,00			--
0005		VTRS00378		WASHER 17,5X32X1,5	4,00	09/2012		--
0005		VTRS21763		WASHER D.17	2,00		09/2012	--
0006		VTRS13947		WASHER D. 8 INX UNI 6592	4,00			--
0007		VTDD01695		NUT M 8 INX	4,00			--
0008		VTVT15916		SCREW TE M 8X 16 UNI 5739 A2	2,00			--
0009		VTRS13946		WASHER D. 8 X24 INX UNI 6593	2,00			--
0010		VTRS15978		WASHER D.12X24 UNI 6592 INX	4,00			--
0011		VTRS15146		WASHER D. 8 INX GRW UNI 1751	2,00			--
0012		VTVT00842		SCREW	4,00			--



REV.	MODIFICA	DATA	FIRMA	DATA	APPR.	SOST. IL :	SOST. DA :	FILE :	CT 70 C	=BG(-)	2	FG.	F.S.	
0						1	2	3	4	5	6	7	8	9

Ref.	K	Part N.	Customer Part N.	Description	Qty	Validity:	From	To	Price
AP1		MECE00397		BOARD CT40 C 230V	1,00				--
KM1		MERL48877		RELAY 628282300000 230V	1,00				--
KM2		MERL00005		SWITCH RELAY finder 230v-50hz	1,00				--
M1		MOMO00192		MOTOR	1,00				--
M2		MOMO00214		MOTOR 240V	1,00				--
S1		MECI36393		MICROSWITCH TRZ. DRW	1,00				--
SH1		MECI00383		SWITCH TTR/L BIP. 230V	1,00				--
SH2		MECI00383		SWITCH TTR/L BIP. 230V	1,00				--
SL1		MECI00516		SENSOR DI LIVELLO ORIZZONTALE	1,00				--
SL2		MECI00516		SENSOR DI LIVELLO ORIZZONTALE	1,00				--
XP1		MECB00945		CABLE ALIMENTAZ. 3X1.5 L=650	1,00				--
YV1		MEEV00019		SOLENOID VALVE	1,00				--
Z1		MECE31132		FILTER LC LAVAM. FL.	1,00				--

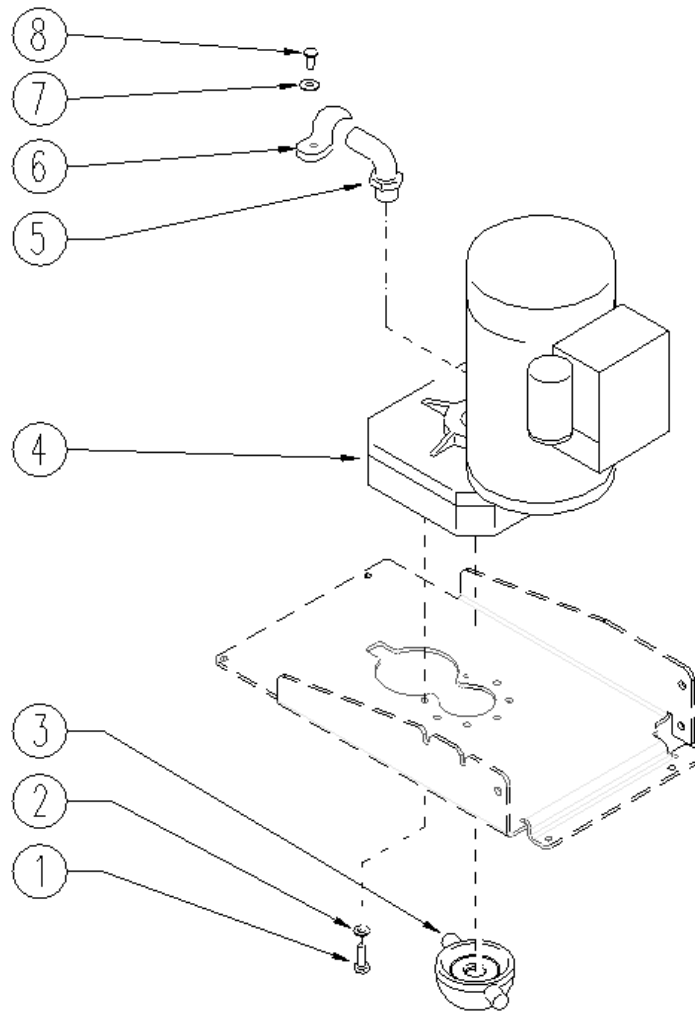


REV.	MODIFICA	DATA	FIRMA	APPR.	2	SOST. IL :	3	SOST. DA :	4	FILE :	5	6	7	8	9

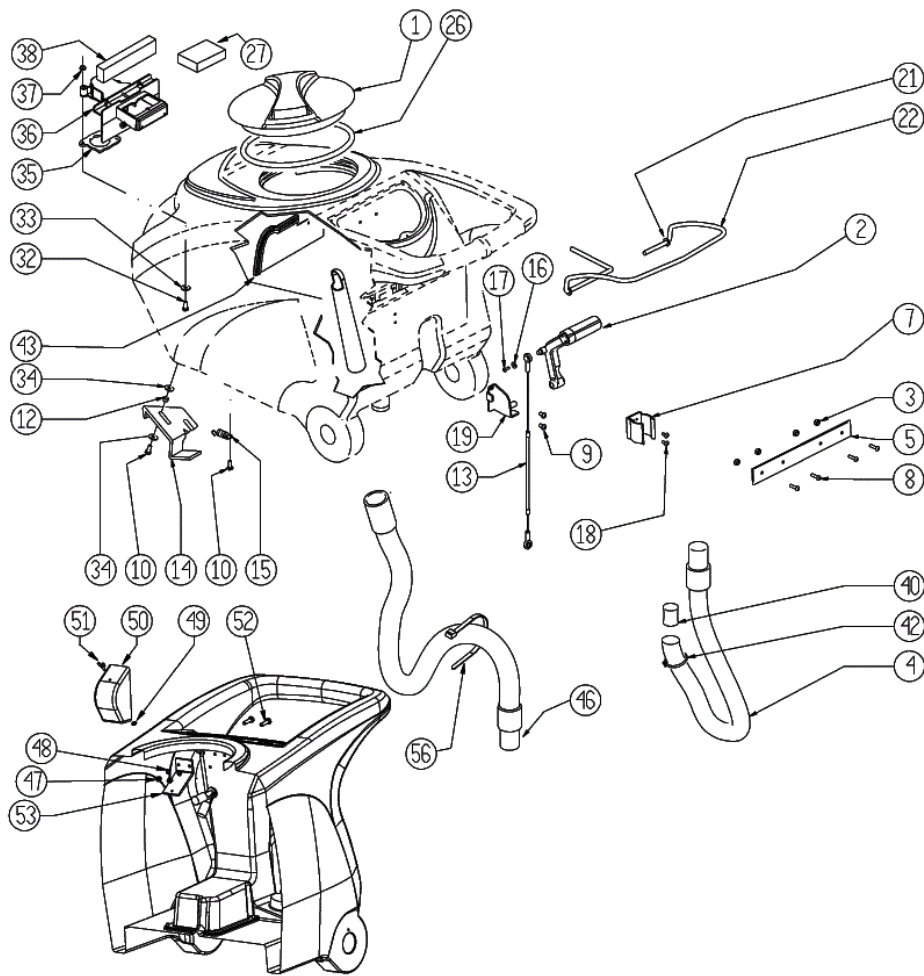
Ref.	K	Part N.	Customer Part N.	Description	Qty	Validity:		Price
						From	To	
AP1		MECE00397		BOARD CT40 C 230V	1,00			--
KM1		MERL48877		RELAY 628282300000 230V	1,00			--
KM2		MERL00005		SWITCH RELAY finder 230v-50hz	1,00			--
M1		MOMO00192		MOTOR	1,00			--
M2		MOMO00214		MOTOR 240V	1,00			--
S1		MECI36393		MICROSWITCH TRZ. DRW	1,00			--
SH1		MECI00383		SWITCH TTR/L BIP. 230V	1,00			--
SH2		MECI00383		SWITCH TTR/L BIP. 230V	1,00			--
SL1		MECI00516		SENSOR DI LIVELLO ORIZZONTALE	1,00			--
SL2		MECI00516		SENSOR DI LIVELLO ORIZZONTALE	1,00			--
XP1		MECB00945		CABLE ALIMENTAZ. 3X1.5 L=650	1,00			--
YV1		MEEV00019		SOLENOID VALVE	1,00			--
Z1		MECE31132		FILTER LC LAVAM. FL.	1,00			--

0	1	2	3	4	5	6	7	8	9																																																																																																																																																
<table border="1"> <thead> <tr> <th>Sim.\Sym.</th> <th>Sigla\Item</th> <th>Funzione\Use</th> <th>Type</th> <th>Sim.\Sym.</th> <th>Sigla\Item</th> <th>Funzione\Use</th> <th>Type</th> <th>Sim.\Sym.</th> <th>Sigla\Item</th> <th>Funzione\Use</th> <th>Type</th> </tr> </thead> <tbody> <tr> <td></td> <td>AP1 =06 2</td> <td>Control board</td> <td></td> <td></td> <td>YV1 =06 3</td> <td>Electrovalve</td> <td></td> <td></td> <td></td> <td></td> <td></td> </tr> <tr> <td></td> <td>KM1 =06 2</td> <td>Traction contactor</td> <td></td> <td></td> <td></td> <td></td> <td></td> <td></td> <td></td> <td></td> <td></td> </tr> <tr> <td></td> <td>KM2 =06 2</td> <td>Suction contactor</td> <td></td> <td></td> <td></td> <td></td> <td></td> <td></td> <td></td> <td></td> <td></td> </tr> <tr> <td></td> <td>M1 =06 3</td> <td>Gear motor</td> <td></td> <td></td> <td></td> <td></td> <td></td> <td></td> <td></td> <td></td> <td></td> </tr> <tr> <td></td> <td>M2 =06 3</td> <td>Suction motor</td> <td></td> <td></td> <td></td> <td></td> <td></td> <td></td> <td></td> <td></td> <td></td> </tr> <tr> <td></td> <td>S1 =06 2</td> <td>Traction enable microswitch</td> <td></td> <td></td> <td></td> <td></td> <td></td> <td></td> <td></td> <td></td> <td></td> </tr> <tr> <td></td> <td>SH1 =06 2</td> <td>Switch command</td> <td></td> <td></td> <td></td> <td></td> <td></td> <td></td> <td></td> <td></td> <td></td> </tr> <tr> <td></td> <td>SH2 =06 2</td> <td>Switch command</td> <td></td> <td></td> <td></td> <td></td> <td></td> <td></td> <td></td> <td></td> <td></td> </tr> <tr> <td></td> <td>SL1 =06 2</td> <td>Level sensor</td> <td></td> <td></td> <td></td> <td></td> <td></td> <td></td> <td></td> <td></td> <td></td> </tr> <tr> <td></td> <td>SL2 =06 2</td> <td>Level sensor</td> <td></td> <td></td> <td></td> <td></td> <td></td> <td></td> <td></td> <td></td> <td></td> </tr> <tr> <td></td> <td>XP1 =06 2</td> <td>Power supply</td> <td></td> <td></td> <td></td> <td></td> <td></td> <td></td> <td></td> <td></td> <td></td> </tr> </tbody> </table>										Sim.\Sym.	Sigla\Item	Funzione\Use	Type	Sim.\Sym.	Sigla\Item	Funzione\Use	Type	Sim.\Sym.	Sigla\Item	Funzione\Use	Type		AP1 =06 2	Control board			YV1 =06 3	Electrovalve							KM1 =06 2	Traction contactor											KM2 =06 2	Suction contactor											M1 =06 3	Gear motor											M2 =06 3	Suction motor											S1 =06 2	Traction enable microswitch											SH1 =06 2	Switch command											SH2 =06 2	Switch command											SL1 =06 2	Level sensor											SL2 =06 2	Level sensor											XP1 =06 2	Power supply									
Sim.\Sym.	Sigla\Item	Funzione\Use	Type	Sim.\Sym.	Sigla\Item	Funzione\Use	Type	Sim.\Sym.	Sigla\Item	Funzione\Use	Type																																																																																																																																														
	AP1 =06 2	Control board			YV1 =06 3	Electrovalve																																																																																																																																																			
	KM1 =06 2	Traction contactor																																																																																																																																																							
	KM2 =06 2	Suction contactor																																																																																																																																																							
	M1 =06 3	Gear motor																																																																																																																																																							
	M2 =06 3	Suction motor																																																																																																																																																							
	S1 =06 2	Traction enable microswitch																																																																																																																																																							
	SH1 =06 2	Switch command																																																																																																																																																							
	SH2 =06 2	Switch command																																																																																																																																																							
	SL1 =06 2	Level sensor																																																																																																																																																							
	SL2 =06 2	Level sensor																																																																																																																																																							
	XP1 =06 2	Power supply																																																																																																																																																							
<table border="1"> <thead> <tr> <th>REV.</th> <th>MODIFICA</th> <th>DATA</th> <th>FIRMA</th> <th>DATA APPR.</th> <th>SOST. IL :</th> <th>SOST. DA :</th> <th>FILE :</th> <th colspan="2">CT 70 C</th> <th>=06(-) 4</th> <th>FG F.S.</th> </tr> </thead> <tbody> <tr> <td></td> <td></td> <td></td> <td></td> <td></td> <td></td> <td></td> <td></td> <td></td> <td></td> <td></td> <td></td> </tr> </tbody> </table>										REV.	MODIFICA	DATA	FIRMA	DATA APPR.	SOST. IL :	SOST. DA :	FILE :	CT 70 C		=06(-) 4	FG F.S.																																																																																																																																				
REV.	MODIFICA	DATA	FIRMA	DATA APPR.	SOST. IL :	SOST. DA :	FILE :	CT 70 C		=06(-) 4	FG F.S.																																																																																																																																														

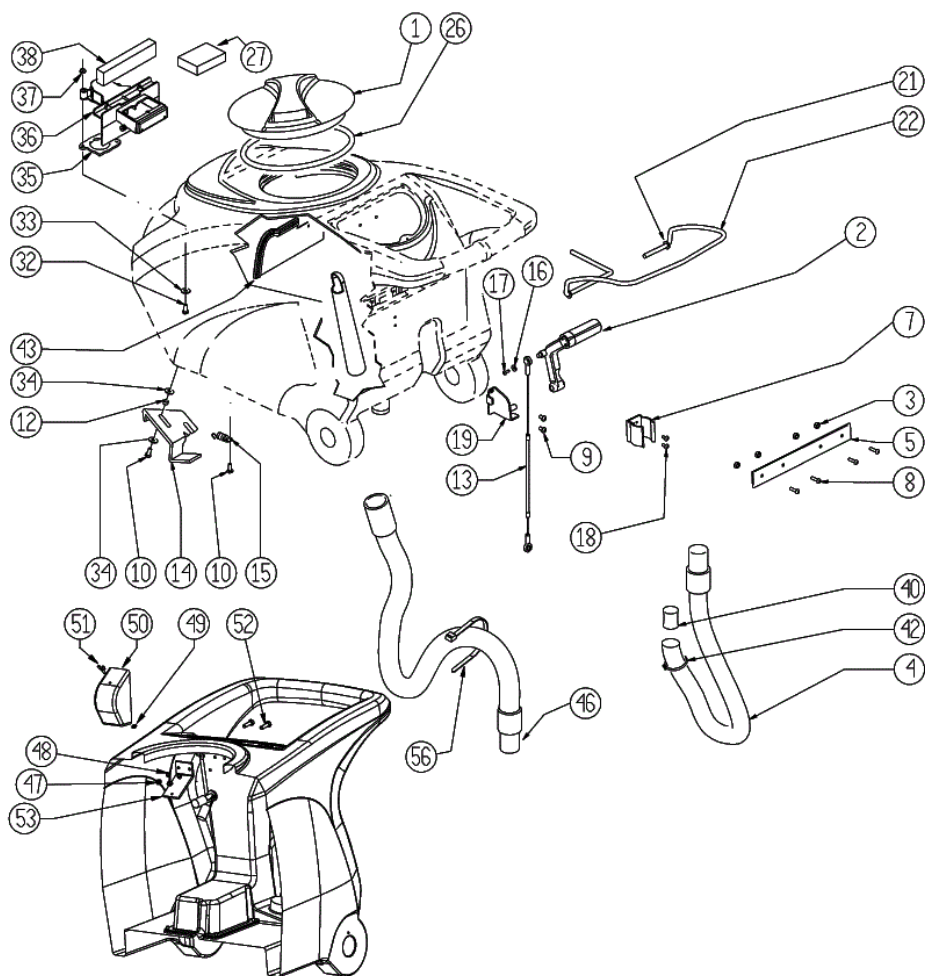
Ref.	K	Part N.	Customer Part N.	Description	Qty	Validity: From	To	Price
AP1		MECE00397		BOARD CT40 C 230V	1,00			--
KM1		MERL48877		RELAY 628282300000 230V	1,00			--
KM2		MERL00005		SWITCH RELAY finder 230v-50hz	1,00			--
M1		MOMO00192		MOTOR	1,00			--
M2		MOMO00214		MOTOR 240V	1,00			--
S1		MECI36393		MICROSWITCH TRZ. DRW	1,00			--
SH1		MECI00383		SWITCH TTR/L BIP. 230V	1,00			--
SH2		MECI00383		SWITCH TTR/L BIP. 230V	1,00			--
SL1		MECI00516		SENSOR DI LIVELLO ORIZZONTALE	1,00			--
SL2		MECI00516		SENSOR DI LIVELLO ORIZZONTALE	1,00			--
XP1		MECB00945		CABLE ALIMENTAZ. 3X1.5 L=650	1,00			--
YV1		MEEV00019		SOLENOID VALVE	1,00			--
Z1		MECE31132		FILTER LC LAVAM. FL.	1,00			--



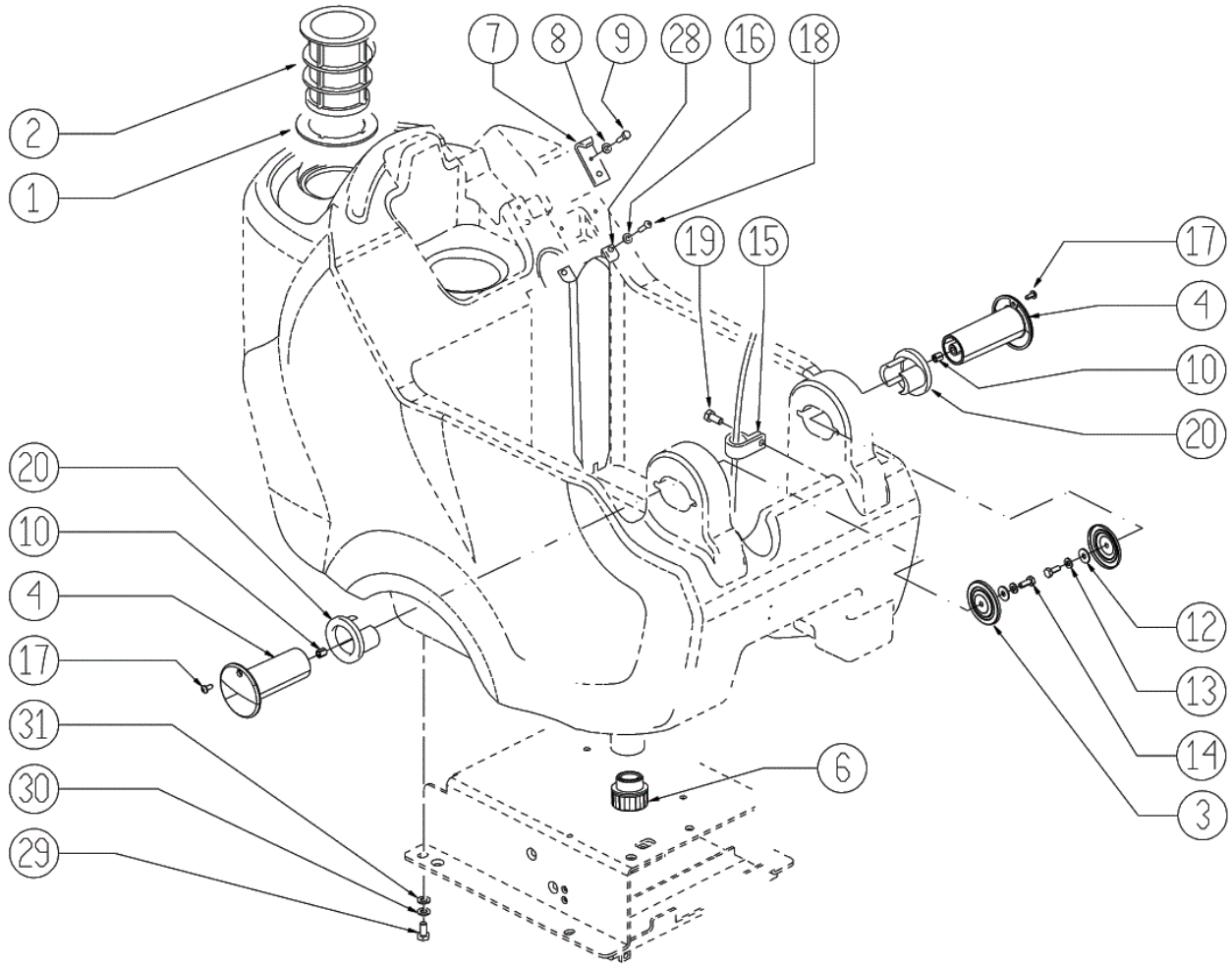
Ref.	K	Part N.	Customer Part N.	Description	Qty	Validity:		Price
						From	To	
0001		VTVT15906		SCREW TE 6X 12 A2 UNI 5739	7,00			--
0002		VTRS15144		WASHER D. 6 INX GRW UNI 1751	7,00			--
0003		MFVR00134		DRIVE DISK SPAZZOLE	1,00			--
0004		MOMO00239		MOTOR 230V	1,00			--
0005		RCVR00761		HOSE FITTING A GOMITO	1,00			--
0006		FSVR00099		CLAMP FERMATUBO	1,00			--
0007		VTRS00515		WASHER D. 4 INX	1,00			--
0008		VTVT21887		SCREW TCB-TC 4X10 8112	1,00			--



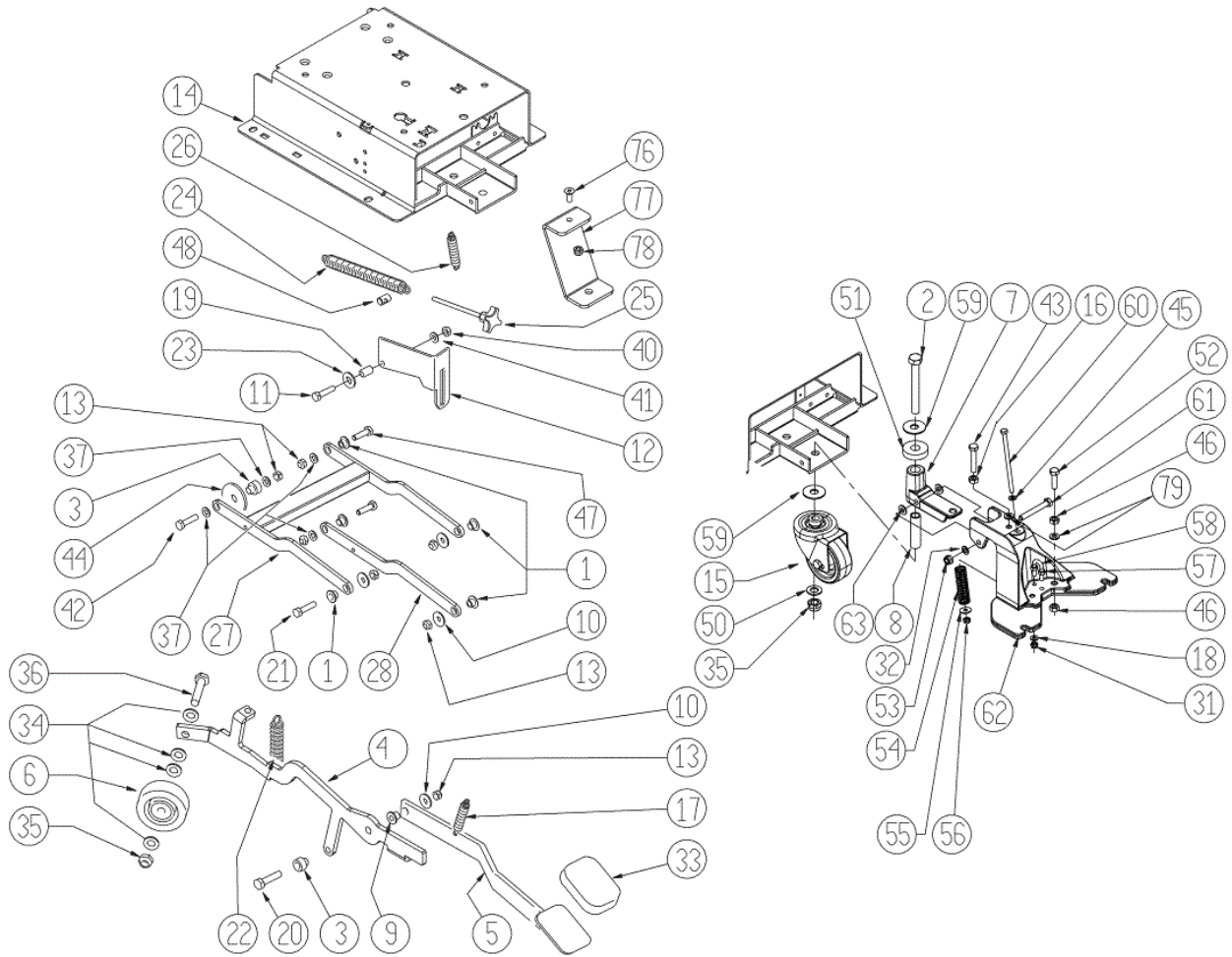
Ref. K	Part N.	Customer Part N.	Description	Qty	Validity:		Price
					From	To	
0001	MPVR04051		TANK CAP	1,00			--
0002	MPVR49942		LEVER SHK PP	1,00			--
0003	VTDD15518		NUT M 6 INX	4,00			--
0004	TBFX00348		TUBE CT40-70-90 HOSE DRAIN	1,00			--
0005	LAFN05865		PLATE COPRILEVA CONSENSO	1,00			--
0007	MPVR46988		CLIP LAV. SHK	1,00			--
0008	VTVT07726		SCREW TE 5X20	4,00			--
0009	VTVT01300		SCREW TE M5X12 INOX	2,00			--
0010	VTVT15143		SCREW TE 6X16 UNI5739	3,00			--
0012	LAFN03626		SPACER	2,00			--
0013	CMCV00460		CABLE SOLLEVAMENTO TERGI	1,00			--
0014	LAFN06849		HANDLE CT 70	1,00			--
0015	MLML34726		SPRING TR E350 N	1,00			--
0016	VTRS05904		WASHER D. 4 X16 2.083	1,00			--
0017	VTVT00718		SCREW TC+ M. 4,8-13	1,00			--
0018	VTVT37012		SCREW M 4X 10 TCB-TC INX	2,00			--
0019	LAFN05870		BRACKET LEVA SOLLEVAM. SQUEEGEE	1,00			--
0021	VTRS13947		WASHER D. 8 INX UNI 6592	2,00			--
0022	LAFN05861		LEVER CONSENSO SPAZZOLE	1,00			--
0026	GUGO00263		GASKET CIRCOLARE TAPPO	1,00			--
0027	FTDP00133		FILTER	1,00			--
0032	VTVT00814		SCREW TE M.4-25	2,00			--
0033	VTRS00251		WASHER 4-16 INOX A2	2,00			--
0034	VTRS00274		WASHER NYLON 66 D.8,4-17-2 UNI	4,00			--
0035	GUGO00417		GASKET SCATOLA ASPIRAZIONE	1,00			--
0036	MPVR05482		BOX -	1,00			--
0037	VTDD15925		NUT M 4 INX	2,00			--
0038	GUGO00449		GASKET CT55	1,00			--
0040	GUGO00245		GASKET	1,00			--
0042	FSVR43136		CLAMP D. 35-40 DF.	1,00			--
0043	MPVR06063		PLATE CT55	1,00			--
0046	TBFX00353		TUBE PU CT70-CT90	1,00			--
0047	VTDD01693		NUT M 5 INX	2,00			--
0048	VTRS00516		WASHER D. 5 INX	2,00			--
0049	VTVR01038		WASHER -	1,00			--
0050	MPVR05596		PROTECTION -	1,00			--
0051	VTVT01150		SCREW 4x10	1,00			--
0052	VTVT00641		SCREW	2,00			--
0053	LAFN07631		BRACKET -	1,00			--



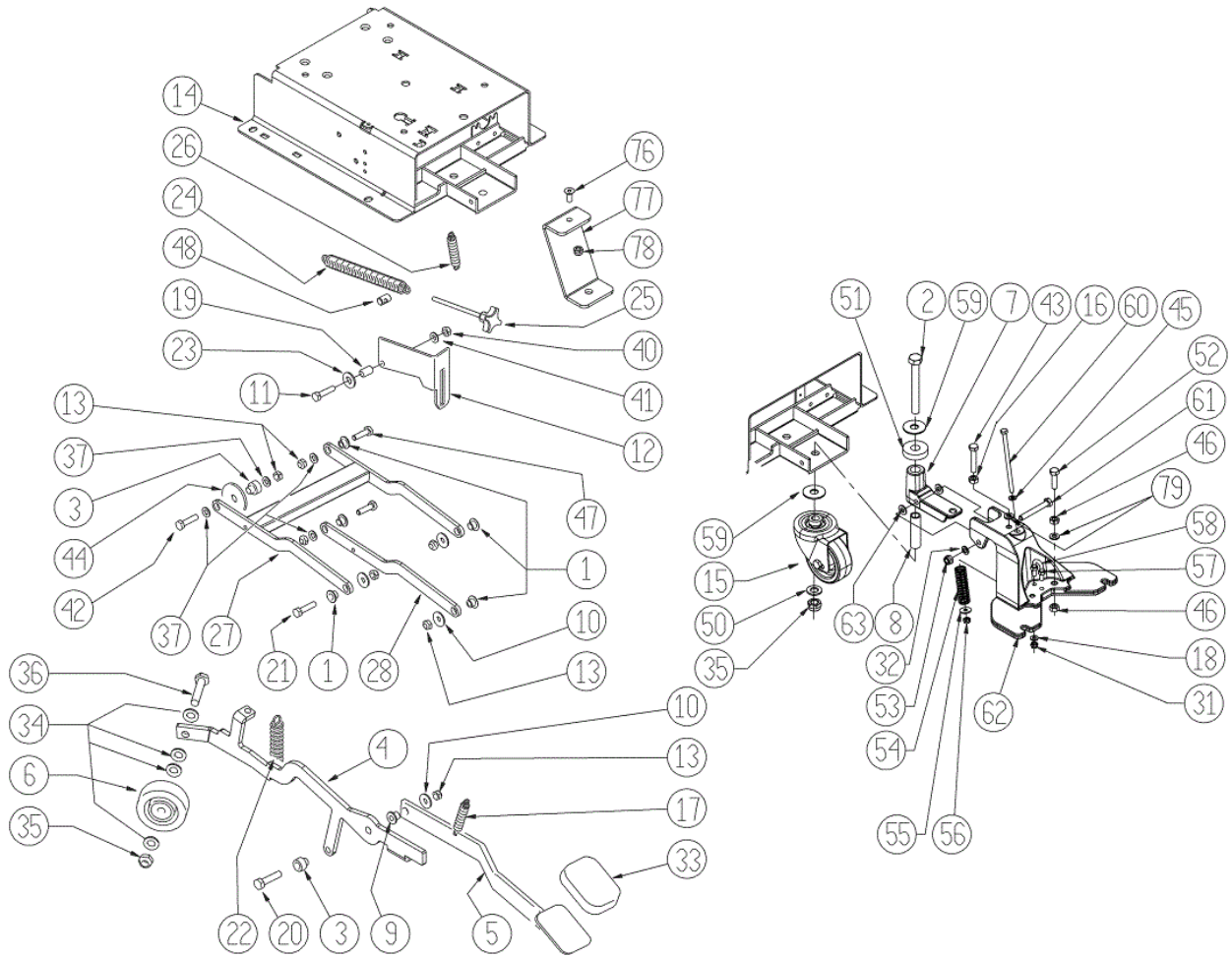
Ref. K	Part N.	Customer Part N.	Description	Qty	Validity:		Price
					From	To	
0056	FSVR00248		CLAMP -	1,00			--



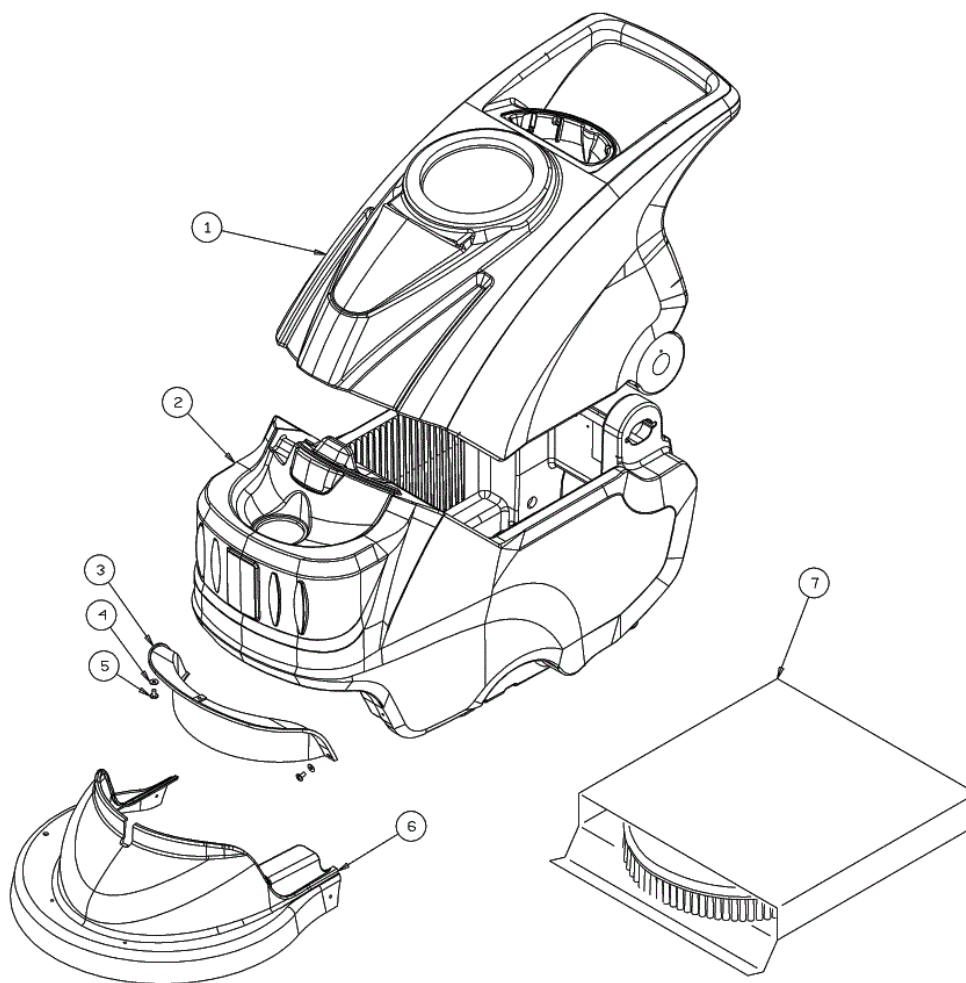
Ref.	K	Part N.	Customer Part N.	Description	Qty	Validity:		Price
						From	To	
0001		GUGO00450		GASKET CT55	1,00			--
0002		FTAC00040		FILTER -	1,00		05/2013	--
0002		FTAC48857		FILTER ASP. ACQUA SERB. LAVAP.	1,00	05/2013		--
0003		LAFN07800		SHEET METAL PA.-	2,00			--
0004		MPVR48695		PIN SHK.BK	2,00			--
0006		MPVR08003		CAP	1,00			--
0007		LAFN06489		PLATE	1,00			--
0008		VTRS15144		WASHER D. 6 INX GRW UNI 1751	1,00			--
0009		VTVT01303		SCREW TE M6-10 INOX	1,00			--
0010		VTVR48693		INSERT M6 D.9	2,00			--
0012		VTRS13945		WASHER D. 6X18 INX UNI 6593	2,00			--
0013		VTRS15144		WASHER D. 6 INX GRW UNI 1751	2,00			--
0014		VTVT15143		SCREW TE 6X16 UNI5739	2,00			--
0015		FSVR00244		CLAMP -	1,00	04/2013		--
0015		MPVR02933		DUCT LOCK D.9,5	2,00		04/2013	--
0016		VTRS00515		WASHER D. 4 INX	2,00			--
0017		VTVT48694		SCREW TCB TC 5 X12 UNI 9707 TZ	2,00			--
0018		VTVT37012		SCREW M 4X 10 TCB-TC INX	2,00			--
0019		VTVT01300		SCREW TE M5X12 INOX	1,00	04/2013		--
0019		VTVT15961		SCREW M 5X 16 TCB TC UNI 7687	1,00		04/2013	--
0020		PMVR02028		RUBBER GRUPPO MONTAGGIO	2,00			--
0028		MPVR51085		FLAP POSTER.TERGI 950 MAGG.	1,00			--
0029		VTVT15916		SCREW TE M 8X 16 UNI 5739 A2	4,00			--
0030		VTRS00269		WASHER D. 8 DIN 6798-A INX A2	4,00			--
0031		VTRS13947		WASHER D. 8 INX UNI 6592	4,00			--



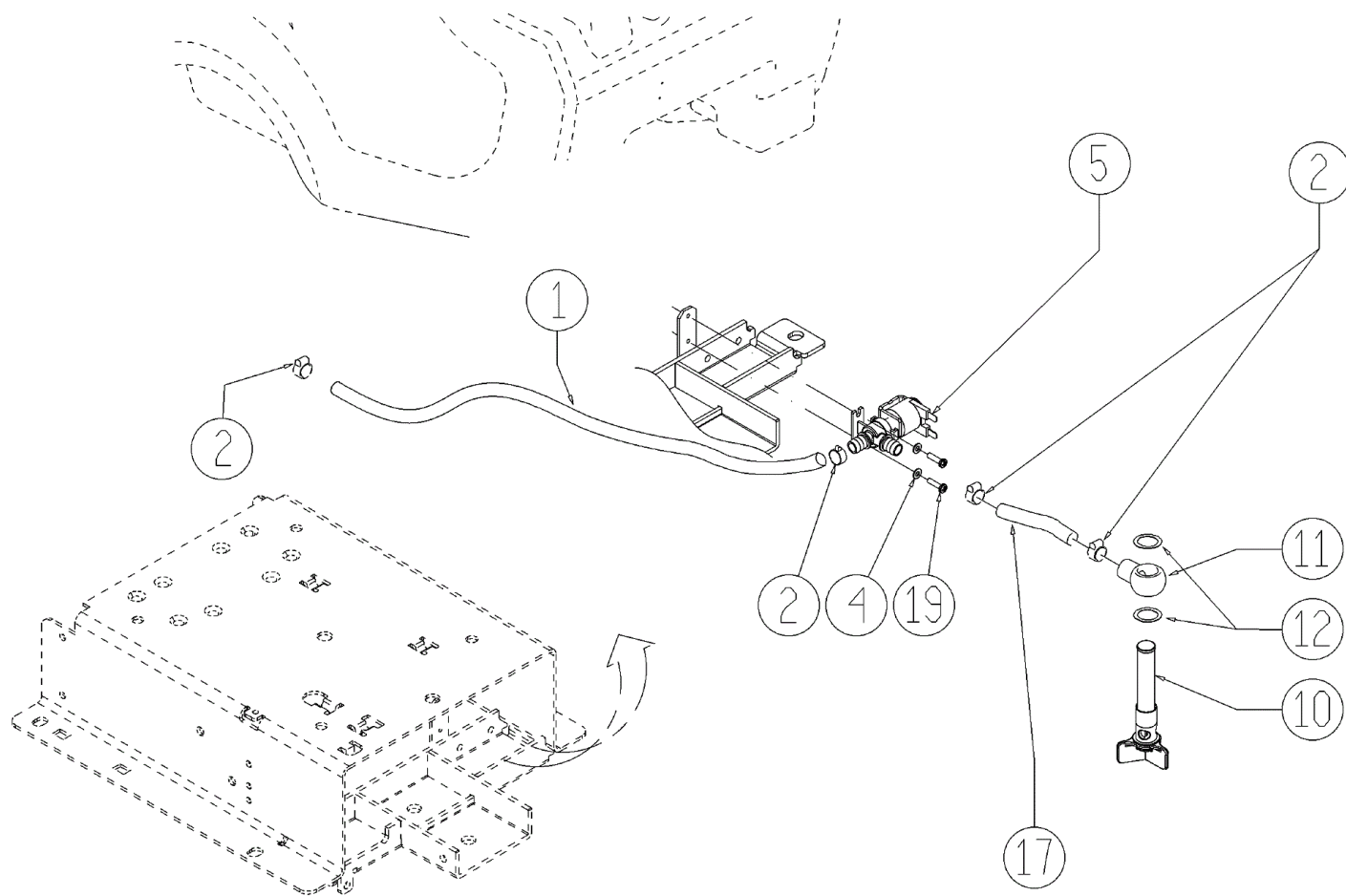
Ref.	K	Part N.	Customer Part N.	Description	Qty	Validity:		Price
						From	To	
0001		LAFN06391		BUSHING PARALLELOGRAMMA	5,00			--
0002		VTVT00285		SCREW TE M12X110	1,00			--
0003		LAFN04190		BUSHING PARALLELOGR.TEST.GR.	2,00			--
0004		LAFN07872		LEVER -	1,00			--
0005		LAFN07602		LEVER -	1,00		04/2013	--
0005		LAFN09270		PEDALE -	1,00	04/2013		--
0006		RTRT49171		CASTER D. 80-12	1,00			--
0007		MFVR00226		SUPPORT SQUEEGEE	1,00			--
0008		LAFN09006		PIN -	1,00			--
0009		LAFN51068		BUSHING LEVA POSTER.	1,00			--
0010		VTRS13946		WASHER D. 8 X24 INX UNI 6593	4,00			--
0011		VTVT00161		SCREW TE M6X20	1,00			--
0012		LAFN10124		PLATE	1,00			--
0013		VTDD01695		NUT M 8 INX	7,00			--
0014		LAFN07293		BASE SERBATOIO	1,00			--
0015		RTRT00395		WHEEL CASTOR D.80X25 PU	1,00			--
0016		VTDD15521		NUT M 8 INX A2 UNI 5588	1,00			--
0017		MLML34726		SPRING TR E350 N	1,00			--
0018		VTRS00245		WASHER D.6 UNI 6592 INOX	2,00			--
0019		LAFN03840		BUSHING	1,00			--
0020		VTVT15917		SCREW TE M 8X50 INOX A2 UNI	1,00			--
0021		VTVT15907		SCREW TE 8X25 UNI5739 INX	3,00			--
0022		MLML00313		SPRING -	1,00			--
0023		VTRS00274		WASHER NYLON 66 D.8,4-17-2 UNI	1,00			--
0024		MLML31130		SPRING D. 17.5 X110 N38	1,00			--
0025		VTVR35749		HANDWHEEL M 6MAX110 D.35	1,00			--
0026		MLML00303		SPRING REGISTRAZIONE FLAP	1,00			--
0027		LAFN06388		ARM TESTATA SUPERIORE	1,00			--
0028		LAFN06389		ARM PARALLELOGRAMMA	1,00			--
0031		VTDD01694		NUT M6 INOX	2,00			--
0032		VTRS13947		WASHER D. 8 INX UNI 6592	1,00			--
0033		MPVR05186		COVER -	1,00			--
0034		VTRS15978		WASHER D.12X24 UNI 6592 INX	4,00			--
0035		VTDD00176		NUT M.12 INOX A2 BASSO AUTOB.	2,00			--
0036		VTVT00836		SCREW TE M12-60 INOX	1,00			--
0037		VTRS13947		WASHER D. 8 INX UNI 6592	4,00			--
0040		VTDD01694		NUT M6 INOX	1,00			--
0041		VTRS00245		WASHER D.6 UNI 6592 INOX	1,00			--
0042		VTVT00410		SCREW TE M8x35 UNI5739 INOX	1,00			--



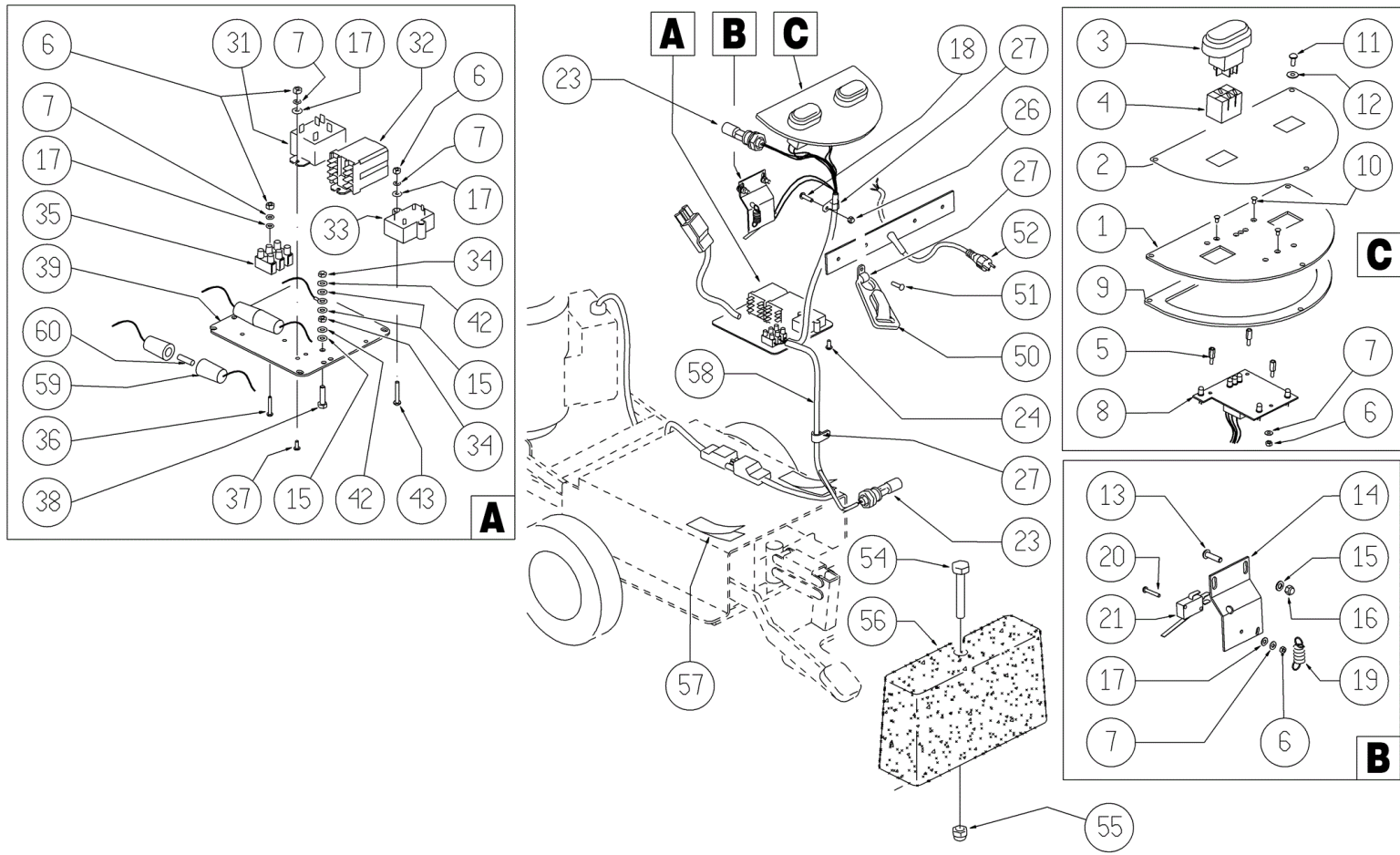
Ref.	K	Part N.	Customer Part N.	Description	Qty	Validity:		Price
						From	To	
0043		VTVT15371		SCREW TE M 8X45 INOX A2 UNI	1,00			--
0044		MPVR05134		GASKET D.60 FORO D.12 SP.2	1,00			--
0045		VTRS00245		WASHER D.6 UNI 6592 INOX	1,00			--
0046		VTDD15521		NUT M 8 INX A2 UNI 5588	2,00			--
0047		VTVT13937		SCREW TE M 8X 30 INX UNI 5739	2,00			--
0048		LAFN35747		SPRING SUPPORT LAV. E/B 450	1,00			--
0050		VTRS15978		WASHER D.12X24 UNI 6592 INX	1,00			--
0051		MPVR06069		WASHER 15X40	1,00			--
0052		VTVT13937		SCREW TE M 8X 30 INX UNI 5739	1,00			--
0053		VTDD01695		NUT M 8 INX	1,00			--
0054		MLML00338		SPRING -	1,00			--
0055		VTRS13945		WASHER D. 6X18 INX UNI 6593	1,00			--
0056		VTDD01694		NUT M6 INOX	1,00			--
0057		VTDD00053		NUT M6 INOX UNI5589	2,00			--
0058		LAFN09231		BRACKET M6X11X29	1,00			--
0059		VTRS09142		WASHER D.12 X 36	2,00			--
0060		VTVT01008		SCREW 6X110	1,00			--
0061		VTVT01009		SCREW 8X60	1,00			--
0062		MFVR00227		SUPPORT SQUEEGEE	1,00			--
0063		VTRS00274		WASHER NYLON 66 D.8,4-17-2 UNI	2,00			--
0076		VTVT00224		SCREW	1,00			--
0077		LAFN06860		BRACKET CT70	1,00			--
0078		VTDD01695		NUT M 8 INX	1,00			--
0079		VTRS15146		WASHER D. 8 INX GRW UNI 1751	2,00			--



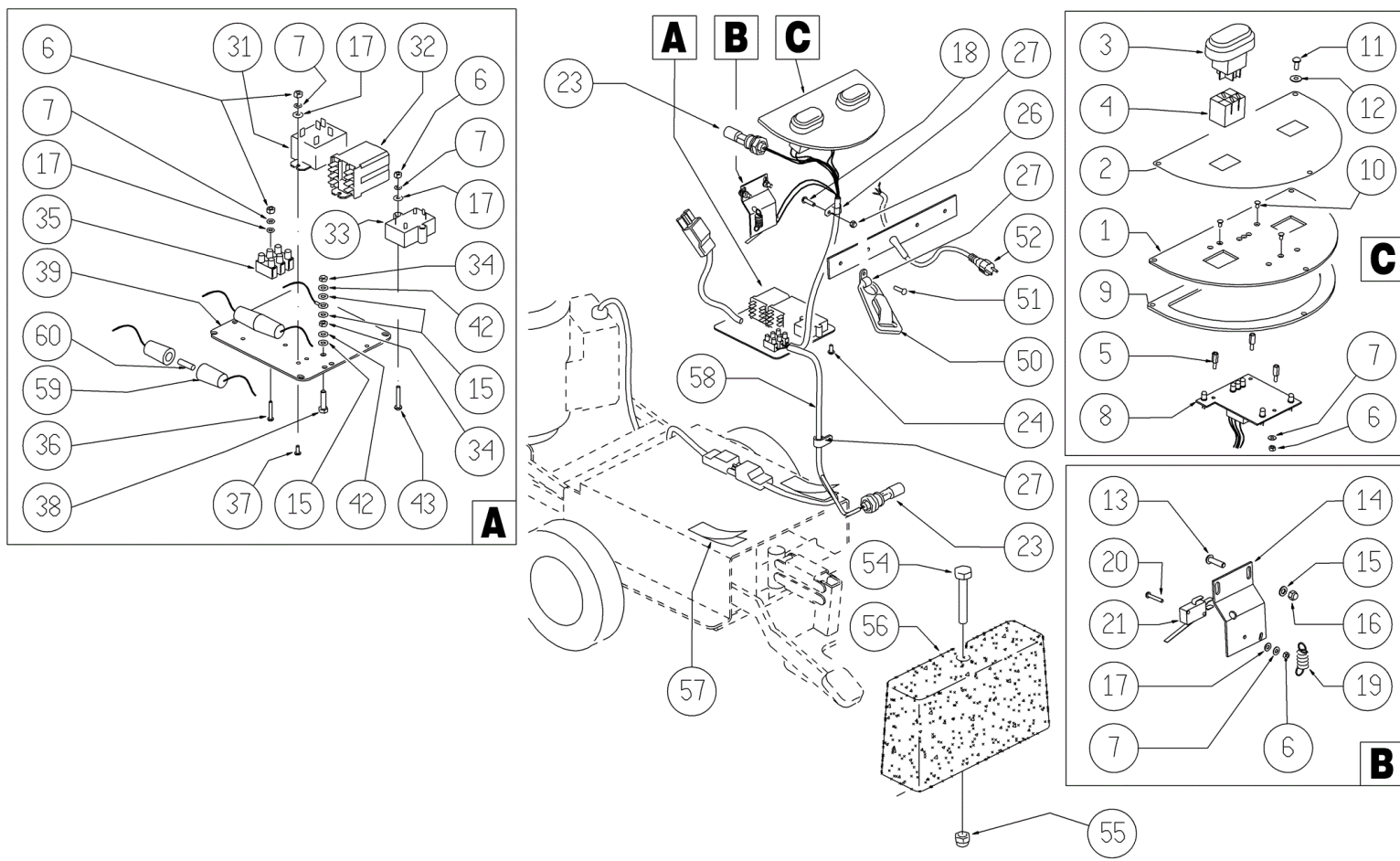
Ref.	K	Part N.	Customer Part N.	Description	Qty	Validity:		Price
						From	To	
0001		MPVR04997		TANK RECOVERY CT50	1,00			--
0002		MPVR04996		TANK SOLUTION CT50	1,00			--
0003		MPVR04998		COVER CT55	1,00			--
0004		VTRS13750		WASHER D. 5X14 INX	4,00			--
0005		VTVT15961		SCREW M 5X 16 TCB TC UNI 7687	4,00			--
0006		MPVR04722		BRUSH PROTECT. 55	1,00			--
0007		SPPV43964		BRUSH NYL 0.8 530	1,00			--



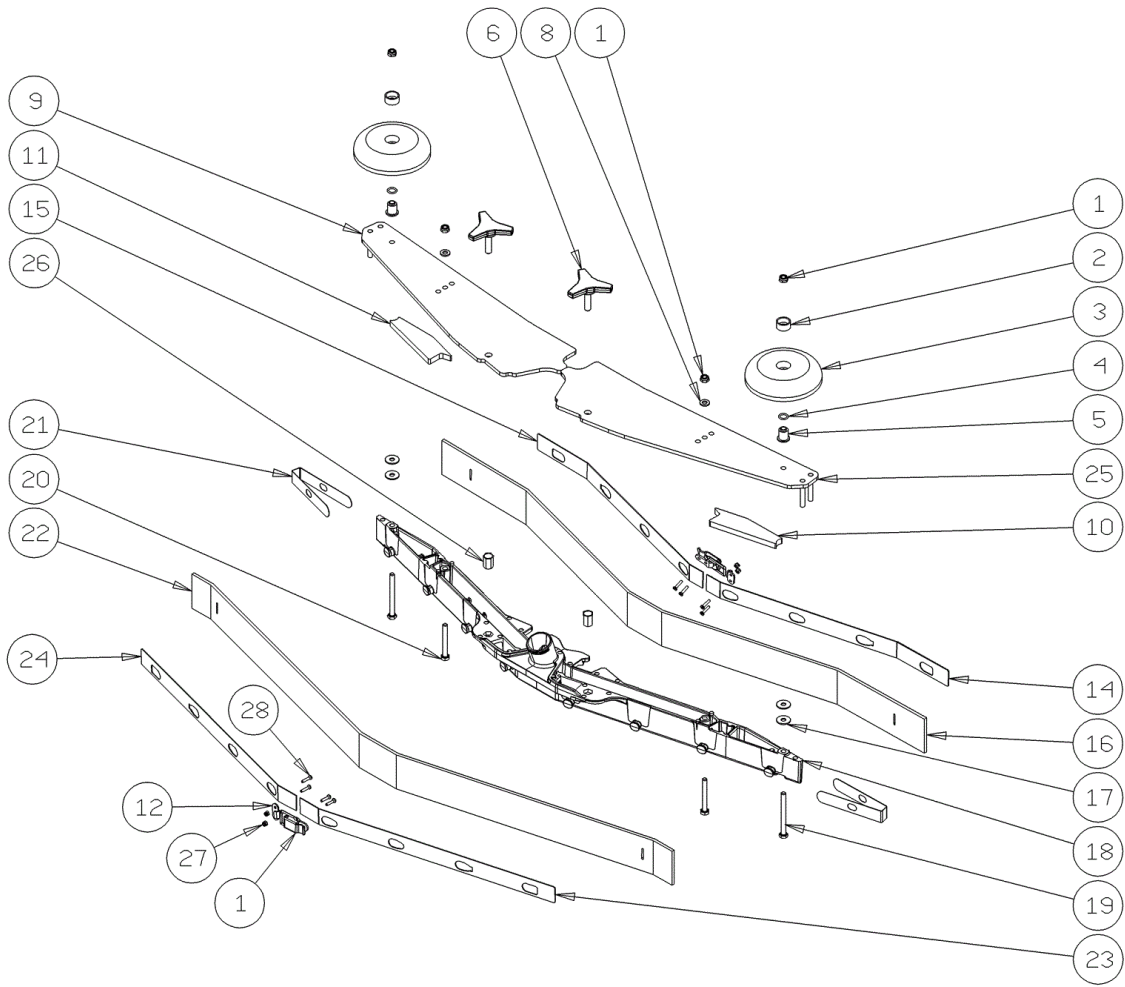
Ref.	K	Part N.	Customer Part N.	Description	Qty	Validity:		Price
						From	To	
0001		TBFX48011		TUBE FLEX D.12X3 ARMORV.PVC TR	0,71			--
0002		FSVR00428		CLAMP D. 12-20	4,00			--
0004		VTRS00515		WASHER D. 4 INX	2,00			--
0005		MEEV00031		SOLENOID VALVE	1,00			--
0010		MPVR05221		FILTER COMPLETO	1,00		02/2013	--
0010		MPVR06303		FILTER CT40-70-90	1,00	02/2013		--
0011		LAFN07783		CONNECTOR -	1,00			--
0012		VTRS00567		WASHER 1/2	2,00			--
0017		TBFX48011		TUBE FLEX D.12X3 ARMORV.PVC TR	0,17			--
0019		VTVT01158		SCREW M4x16	2,00			--



Ref.	K	Part N.	Customer Part N.	Description	Qty	Validity:		Price
						From	To	
0001		LAFN06488		SHEET METAL PA.PANNELLO COMANDI	1,00			--
0002		ETET01379		LABEL CLT 40 230V	1,00			--
0003		MECI00383		SWITCH TTR/L BIP. 230V	2,00			--
0004		MECI00384		BASE 401	2,00			--
0005		LAFN04047		SPACER X SCHEDE M3 15x8x8	3,00			--
0006		VTDD21115		NUT M 3 INOX	13,00			--
0007		VTRS00268		WASHER D.3	13,00			--
0008		MECE00397		BOARD CT40 C 230V	1,00			--
0009		GUGO38417		GASKET PANN.COM.EXTREME	1,00			--
0010		VTVT00865		SCREW TSP-TC M 3X 6 UNI7688 INX	3,00			--
0011		VTVT37012		SCREW M 4X 10 TCB-TC INX	3,00			--
0012		VTRS00515		WASHER D. 4 INX	3,00			--
0013		VTVT07725		SCREW TE 5X16 UNI5739 INX	2,00			--
0014		LAFN05904		PLATE MICRO LEVA	1,00			--
0015		VTRS00516		WASHER D. 5 INX	5,00			--
0016		VTDD15517		NUT M 5 INX	2,00			--
0017		VTRS21116		WASHER D. 3 INX	9,00			--
0018		VTVT00704		SCREW TE M 4X 16 UNI5739 INOX	1,00			--
0019		MLML34726		SPRING TR E350 N	1,00			--
0020		VTVT01316		SCREW TC+ M3-16	2,00			--
0021		MECI36393		MICROSWITCH TRZ. DRW	1,00			--
0023		MECI00516		SENSOR DI LIVELLO ORIZZONTALE	2,00			--
0024		VTVT07521		SCREW TCB 5X10	2,00			--
0026		VTDD15925		NUT M 4 INX	1,00			--
0027		FSVR00099		CLAMP FERMATUBO	2,00			--
0031		MERL00005		SWITCH RELAY finder 230v-50hz	1,00			--
0032		MERL48877		RELAY 628282300000 230V	1,00			--
0033		MECE31132		FILTER LC LAVAM. FL.	1,00			--
0034		VTDD07727		NUT M 5 INOX	2,00			--
0035		MEVR01110		TERMINAL BOARD 3 POS PA27	1,00			--
0036		VTVT00633		SCREW M 3X 20 TCB-TC BK.U.7687	2,00			--
0037		VTVT00722		SCREW	4,00			--
0038		VTVT00766		SCREW TE M. 5-25	1,00			--
0039		LAFN06549		PLATE CABLAGGIO PRINCIPALE CLT	1,00			--
0042		VTRS15908		WASHER D. 5 INX GRW UNI 1751	2,00			--
0043		VTVT00765		CARRYNG BAG	2,00			--
0050		MEVR01252		CUT PREVENTER CAVO ELETTRICO TIPO 500	1,00			--
0051		VTVT15961		SCREW M 5X 16 TCB TC UNI 7687	4,00			--
0052		MECB00945		CABLE ALIMENTAZ. 3X1.5 L=650	1,00			--



Ref.	K	Part N.	Customer Part N.	Description	Qty	Validity:		Price
						From	To	
0054		VTVT24212		SCREW TE M 12X100 UNI 5737 INOX	1,00			--
0055		VTDD00176		NUT M.12 INOX A2 BASSO AUTOB.	1,00			--
0056		MFVR00204		WEIGHT	1,00			--
0057		GUGO00009		MOUSSE	2,00			--
0058		MECB01237		WIRING	1,00			--
0059		MEVR01401		FUSE CARRIER VOLANTE OMEGA	2,00			--
0060		MEVR02825		FUSE 5X20 5A	2,00			--



Ref. K	Part N.	Customer Part N.	Description	Qty	Validity:		Price
					From	To	
0001	LAFN09302		CLOSURE -	2,00	09/2013		--
0002	MPVR49229		BUSHING SHK	2,00			--
0003	MPVR05290		ROLLER PARACOLPI	2,00			--
0004	GUGO00164		GASKET	2,00			--
0005	LAFN04100		SPACER PER RUOTINO PARACOLPI	2,00			--
0006	MPVR06003		KNOB AISI 304	2,00		03/2013	--
0006	MPVR06004		KNOB AISI 304	2,00	03/2013		--
0008	VTRS00245		WASHER D.6 UNI 6592 INOX	2,00			--
0009	LAFN09012		PLATE -	1,00			--
0010	GUVR00301		GASKET -	1,00			--
0011	GUVR00300		GASKET -	1,00			--
0012	LAFN09301		SOCKET -	2,00	09/2013		--
0014	LAFN08948		BRACKET -	1,00		09/2013	--
0014	LAFN09279		SHEET METAL PA.-	1,00	09/2013		--
0015	LAFN08949		BRACKET -	1,00		09/2013	--
0015	LAFN09280		SHEET METAL PA.-	1,00	09/2013		--
0016	MPVR08039		BLADE S LATEX	1,00			--
0017	VTRS13945		WASHER D. 6X18 INX UNI 6593	4,00			--
0018	KTRI02048		BODY SQUEEGEE PRESSOFUSO "S"	1,00			--
0019	VTVT00841		SCREW TE M 6X65 UNI 5739 INX	2,00			--
0020	VTVT15515		SCREW TE M 6X 50 INOX A2	2,00			--
0021	MPVR05897		CLOSURE S	2,00			--
0022	MPVR08035		BLADE S LATEX	1,00			--
0023	LAFN08950		BRACKET -	1,00		09/2013	--
0023	LAFN09281		SHEET METAL PA.-	1,00	09/2013		--
0024	LAFN08951		BRACKET -	1,00		09/2013	--
0024	LAFN09283		SHEET METAL PA.-	1,00	09/2013		--
0025	LAFN09013		PLATE -	1,00			--
0026	VTVR00565		INSERT	2,00			--
0027	VTDD00210		NUT M 3 INOX	8,00	09/2013		--
0028	VTVT01070		SCREW TSTC M3X8	8,00	09/2013		--